

REFRIGERATOR

Repair Parts List

MODEL NUMBER

MZD2766GES

When requesting service or ordering parts, always provide the following information:

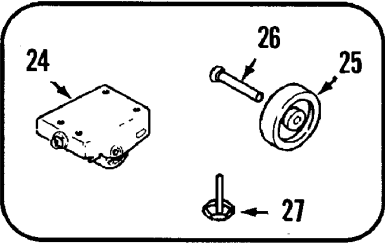
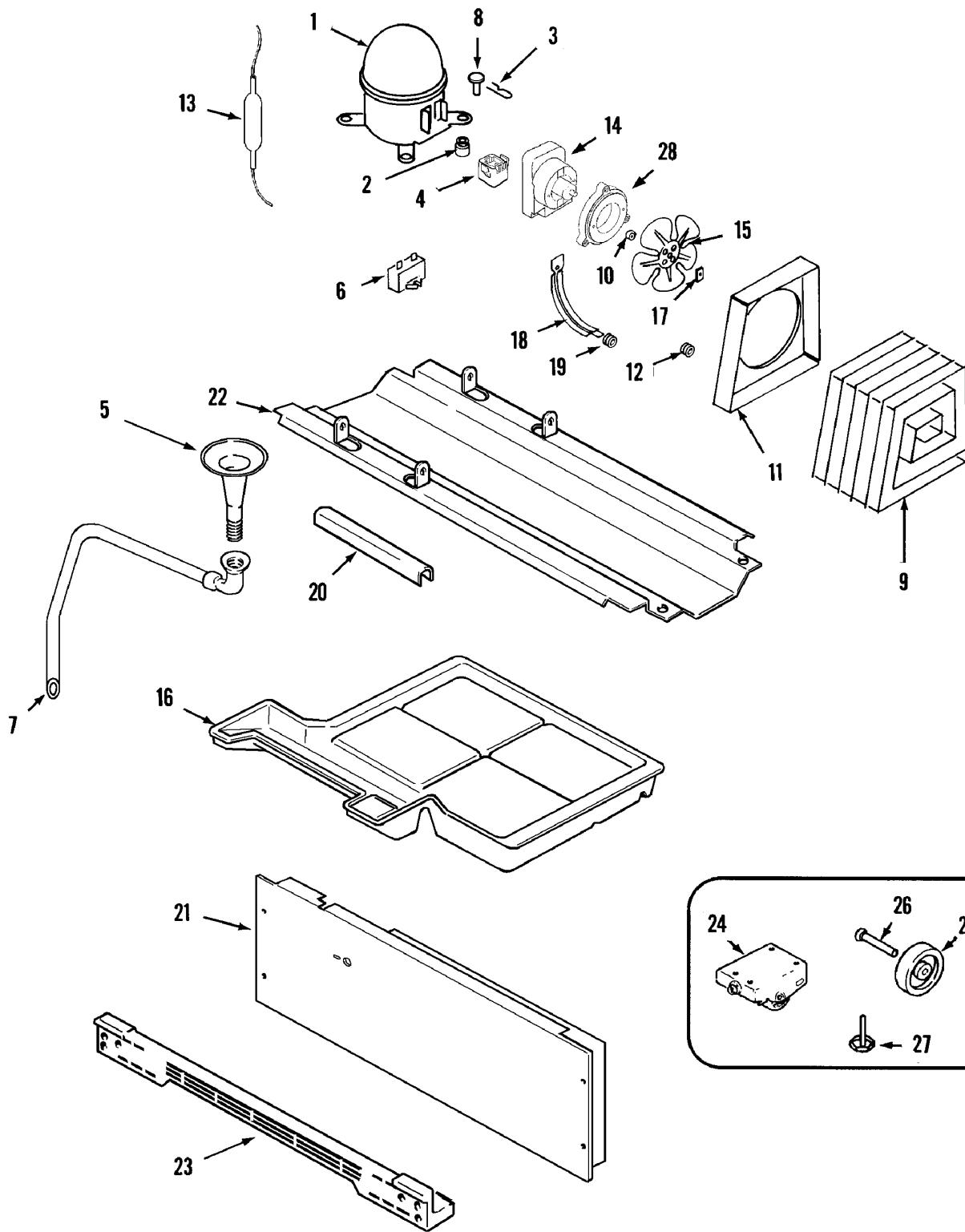
- Product Type
- Part Number
- Model Number
- Part Description

MAYTAG®

©2005 Maytag Services

Section: COMPRESSOR

Model: MZD2766GES



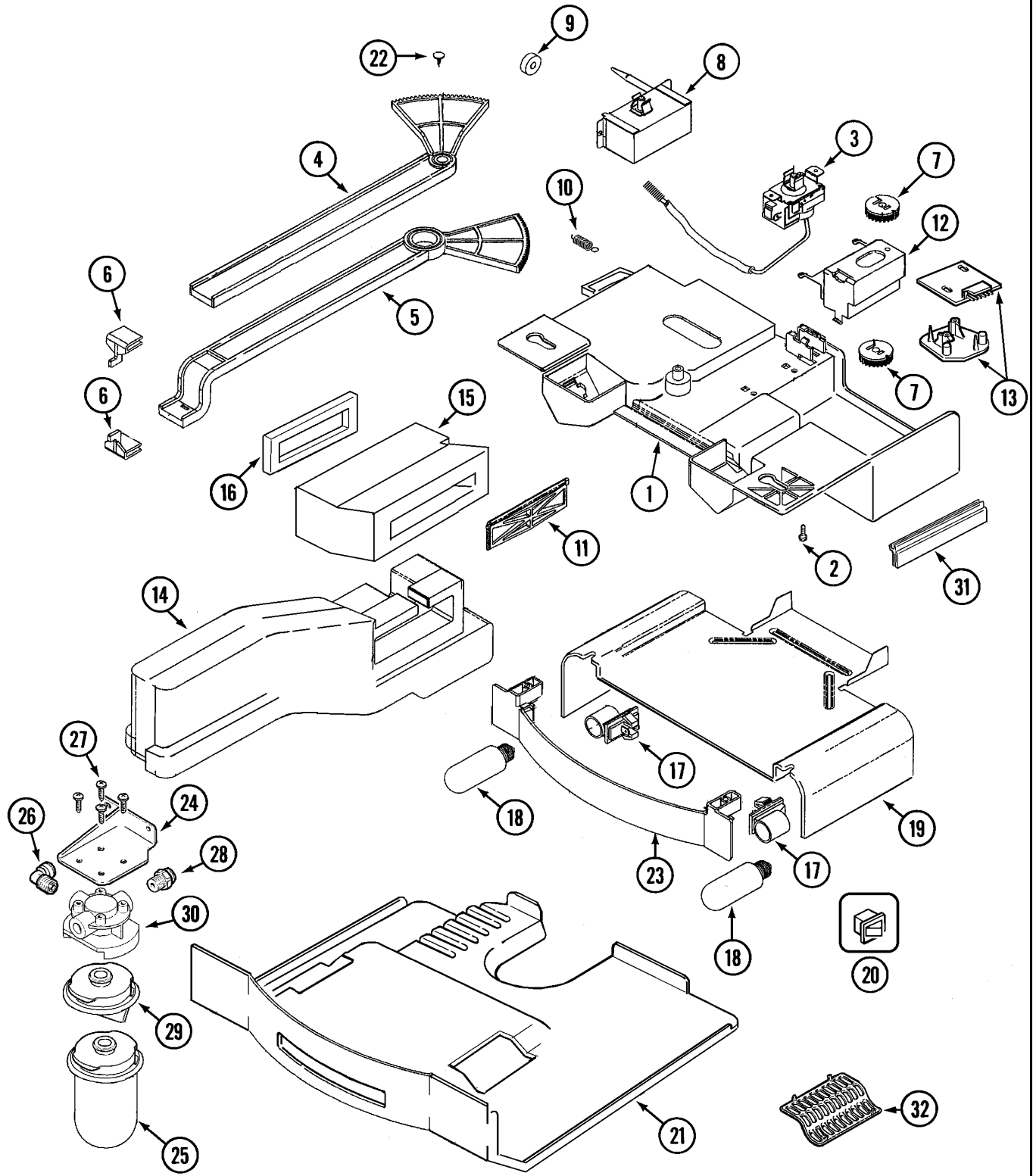
Section: COMPRESSOR

No.	Part No.	Description	Series	Qty
1	12002164	KIT, COMPRESSOR (R134A) Note: COMPRESSOR	28	1
1	12001834	KIT, COMPRESSOR (R134A) Note: COMPRESSOR	10	1
1	12002053	KIT, COMPRESSOR (R134A) Note: COMPRESSOR	22	1
-	61005322	WIRE HARNESS, COMPRESSOR Note: WIRE HARNESS, COMPRESSOR (W/POWER CORD)	10	1
2	61005241	GROMMET, COMPRESSOR	10	4
2	10835901	GROMMET, COMPRESSOR	28	4
3	61003099	CLIP, COMPRESSOR Note: CLIP, COMPRESSOR	10	4
4	61005271	RELAY/OVERLOAD ASSY.	10	1
-	61006187	CLIP, RELAY/OVERLOAD ASSY.	28	1
4	61006186	RELAY/OVERLOAD ASSY.	28	1
- N	61005620	CLIP, RELAY/OVERLOAD ASSY.-NA	10	1
5	61004751	TUBE, DRAIN	10	1
-	400017-1	SCREW Note: SCREW, RUN CAPACITOR	10	1
6	65889-4	CAPACITOR, RUN	10	1
7	61003133	HOSE, DRAIN	10	1
-	53516-9	CLAMP Note: CLAMP, DRAIN HOSE	10	1
8	52656-2	PLUG, COMPRESSOR	10	4
-	61004378	SCREW Note: SCREW, CONDENSER	10	6
9	61003814	CONDENSER Note: CONDENSER	10	1
10	61001686	WASHER, FAN BLADE	10	1
11	61001941	SHROUD, CONDENSER	10	1
12	61002033	GROMMET, CONDENSER TUBING	10	1
13	13900-1	DRIER	10	1
14	61005323	MOTOR, CONDENSER FAN	10	1
-	61005324	SCREW Note: SCREW, MOTOR	10	3
15	60683-1	BLADE, CONDENSER FAN	10	1
-	400017-1	SCREW Note: SCREW, DRAIN PAN	10	4
16	61002649	PAN, DRAIN	10	1
17	19914	CLIP, FAN BLADE	10	1
18	69181-1	BRACKET, FAN MOTOR	10	3
19	61004743	GROMMET, BRACKET	10	3
20	61004584	ISOLATOR, CONDENSER	10	1
-	65275-50	SCREW Note: SCREW, COVER	10	6
21	61004674	COVER, COMPRESSOR COMPARTMENT	10	1
22	61005269	PAN, COMPRESSOR MTG.	10	1
-	61002407	SCREW Note: SCREW, PAN	10	4
23	61004055	KICKPLATE (BLK)	10	1
-	400016-1	SCREW Note: SCREW, KICKPLATE	10	1
-	400017-1	SCREW Note: SCREW, WHEEL ASSY.	10	4
24	61005232	WHEEL ASSY. (FRT)	10	2
25	61003826	WHEEL (REAR)	10	2
26	61002104	PIN, WHEEL	10	2
27	61002014	LEG, LEVELING	10	2
28	61005325	ADAPTER, FAN MOTOR	10	1
-	61005326	SCREW Note: SCREW, ADAPTER	10	2
- N	12001548	YODER LOOP HTR(115V)27,29,23CD Note: HEATER KIT, YODER LOOP	10	1
-	61005298	MANUAL, USE & CARE (TRILNGUL) Note: MANUAL, USE & CARE	10	1
-	16009103	MANUAL, SERVICE SXS APD	10	1

*Color Code (-)=Not Shown #=Series, Serial Prefix or Run No., N=Not Available

Section: CONTROLS

Model: MZD2766GES



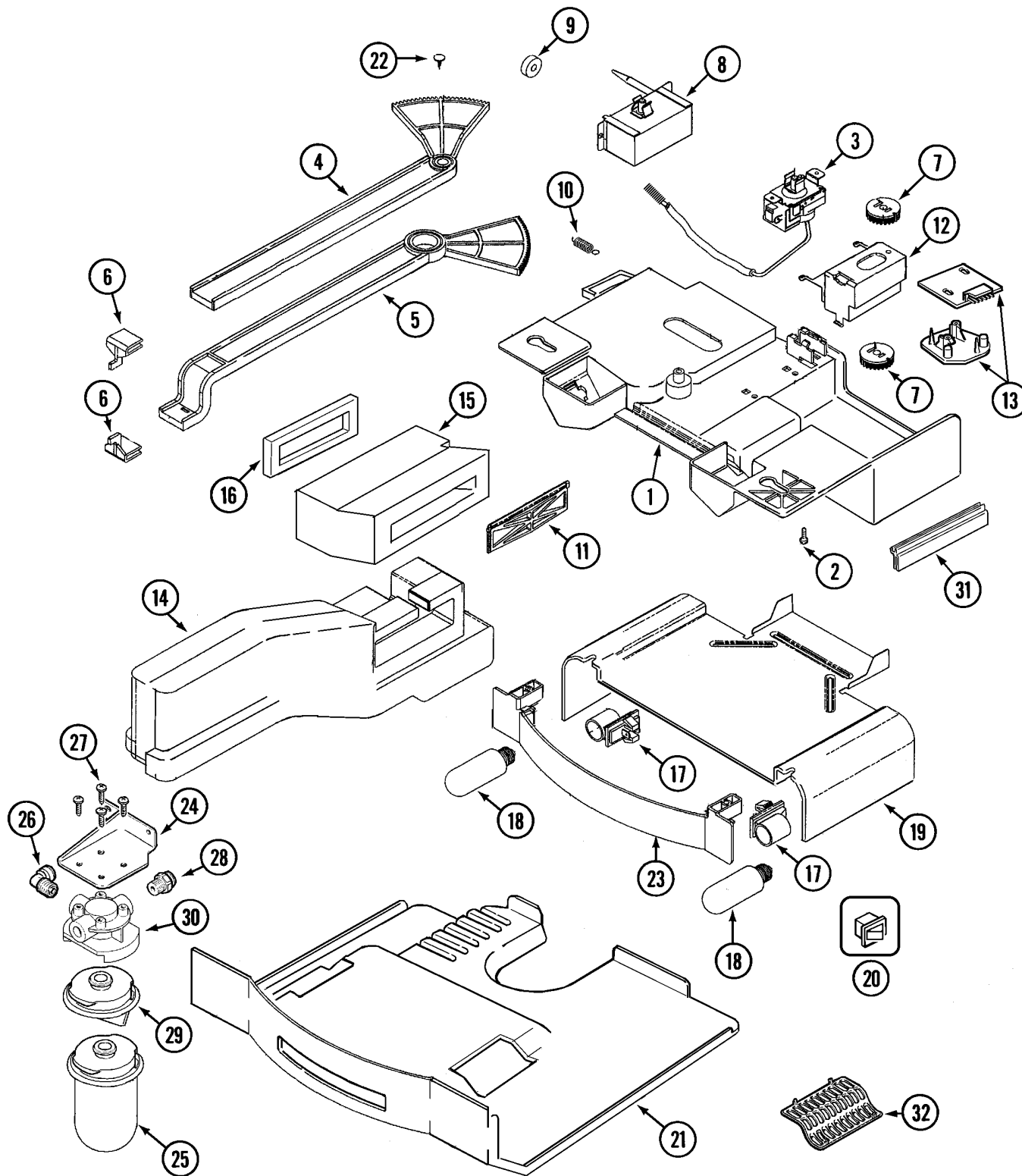
Section: CONTROLS

No.	Part No.	Description	Series	Qty
1	61005043	HOUSING ASSY., AUTO DAMPER Note: (INCL. AUTO DAMPER)	10	1
-	61003228	FOIL, HEAT SHIELD	10	1
-	61004424	SCREW Note: SCREW, HOUSING	10	1
1	61005971	HOUSING ASSY., AUTO DAMPER Note: (INCL. AUTO DAMPER)	19	1
2	61004314	SCREW (#8 AB) Note: SCREW, HOUSING SUPPORT	10	2
3	61005327	CONTROL ASSY., TEMPERATURE	10	1
-	400016-1	SCREW Note: SCREW, TEMP. CONTROL	10	1
4	N 61003287	ROD, DAMPER CONTROL	10	1
5	61003293	ROD, TEMP. CONTROL	10	1
6	61004591	END CAP, CONTROL ROD Note: END CAP, CONTROL ROD	10	2
7	61003305	GEAR, CONTROL SLIDE	10	2
-	N 61003359	SCREW Note: SCREW, AUTO DAMPER	10	2
8	61005044	DAMPER, AUTO	10	1
9	61003358	WASHER, DAMPER ROD	10	1
10	61003141	SPRING, DAMPER DOOR	10	1
11	61003235	DOOR, DAMPER	10	1
12	61003315	SUPPORT, TEMP. CONTROL	10	1
-	61005951	SCREW Note: SCREW, DEFROST ASSY.	19	2
13	12002104	DEFROST KIT, ENHANCED ADAPTIVE Note: DEFROST KIT, ADAPTIVE (INCL. BOARD, UPR COVER, & LWR COVER)	26	1
13	61003990	DEFROST ASSY., ADAPTIVE Note: (INCL. BOARD & BRACKET)	10	1
-	405007-1	SCREW Note: SCREW, DEFROST ASSY.	10	2
13	61005988	DEFROST ASSY., ADAPTIVE Note: (INCL. BOARD, UPR COVER, & LWR COVER)	19	1
14	61003230	INSULATION, DISCHARGE (RT)	10	1
14	61005972	INSULATION, DISCHARGE (RT)	19	1
14	61003229	INSULATION, DISCHARGE (LT)	10	1
15	61005328	TUNNEL, CONTROL HOUSING	10	1
-	61005075	SEAL, TUNNEL (DOUBLE-SIDED) Note: SEAL, TUNNEL (DOUBLE-SIDED)	10	1
15	61005848	TUNNEL, CONTROL HOUSING	13	1
16	61003819	SEAL, TUNNEL Note: SEAL, TUNNEL	10	1
17	61003237	RECEPTACLE, BULB	10	2
17	61005973	RECEPTACLE, BULB	19	2
-	61003354	BARRIER, FOIL (LT) Note: FOIL (LT)	10	1
18	61003236	BULB, LIGHT	10	2
-	61005975	FOIL (LT)	19	1
-	61005974	FOIL (RT)	19	1
-	61003355	BARRIER, FOIL (RT) Note: FOIL (RT)	10	1
19	61003238	SHIELD, HEAT	10	1
19	61005976	SHIELD, HEAT	19	1
20	61003661	SWITCH, LIGHT	10	1
20	61006166	SWITCH, LIGHT	27	1
21	61005849	SHIELD, LIGHT	13	1
21	61003924	SHIELD, LIGHT	10	1
22	61003316	RETAINER, CONTROL ROD	10	1
23	61004380	PANEL, CONTROL	10	1
24	61003698	BRACKET, WATER FILTER	10	1
25	UKF7002AXX	FILTER, WATER	10	1
26	61003705	FITTING ASSY., WATER FILTER	10	1
27	61003796	SCREW Note: SCREW, WATER FILTER BRACKET	10	2
28	61003790	FITTING, WATER FILTER	10	1
29	61003791	PLUG, FILTER BYPASS	10	1
30	61003789	HEAD, WATER FILTER	10	1
31	N 61003891	TRIM, CONTROL HOUSING Note: TRIM, CONTROL HSG.	10	1
32	61004590	GRILL, LIGHT	10	2
-	61006124	WIRE HARNESS, CONTROLS	19	1
-	61005329	WIRE HARNESS, CONTROLS	10	1

*Color Code (-)=Not Shown #=Series, Serial Prefix or Run No., N=Not Available

Section: CONTROLS

Model: MZD2766GES



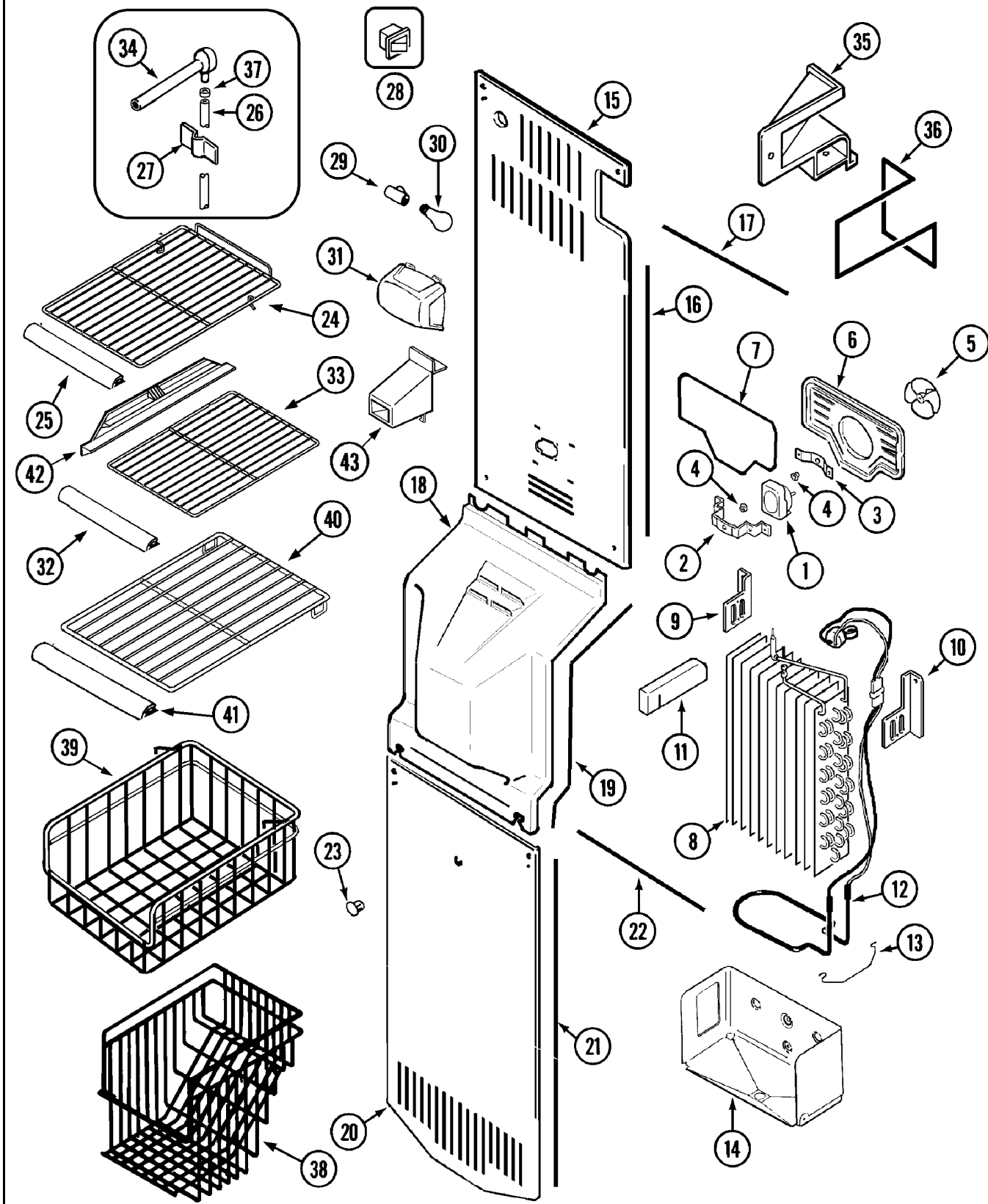
Section: CONTROLS

No.	Part No.	Description	Series	Qty
-	Y00000000	SEE NOTE Note: (FRZ/FF WIRE HARNESS IS NOT REPLACEABLE. IT IS PART OF THE MAIN HARNESS)	19	1
-	61005850	WIRE HARNESS, FRZ./F.F. Note: (CONTROL HARNESS-MAIN HARNESS)	13	1
-	61004262	WIRE HARNESS, FRZ./F.F. Note: (CONTROL HARNESS-MAIN HARNESS)	10	1

*Color Code (-)=Not Shown #=Series, Serial Prefix or Run No., N=Not Available

Section: FREEZER COMPARTMENT

Model: MZD2766GES



A53-303

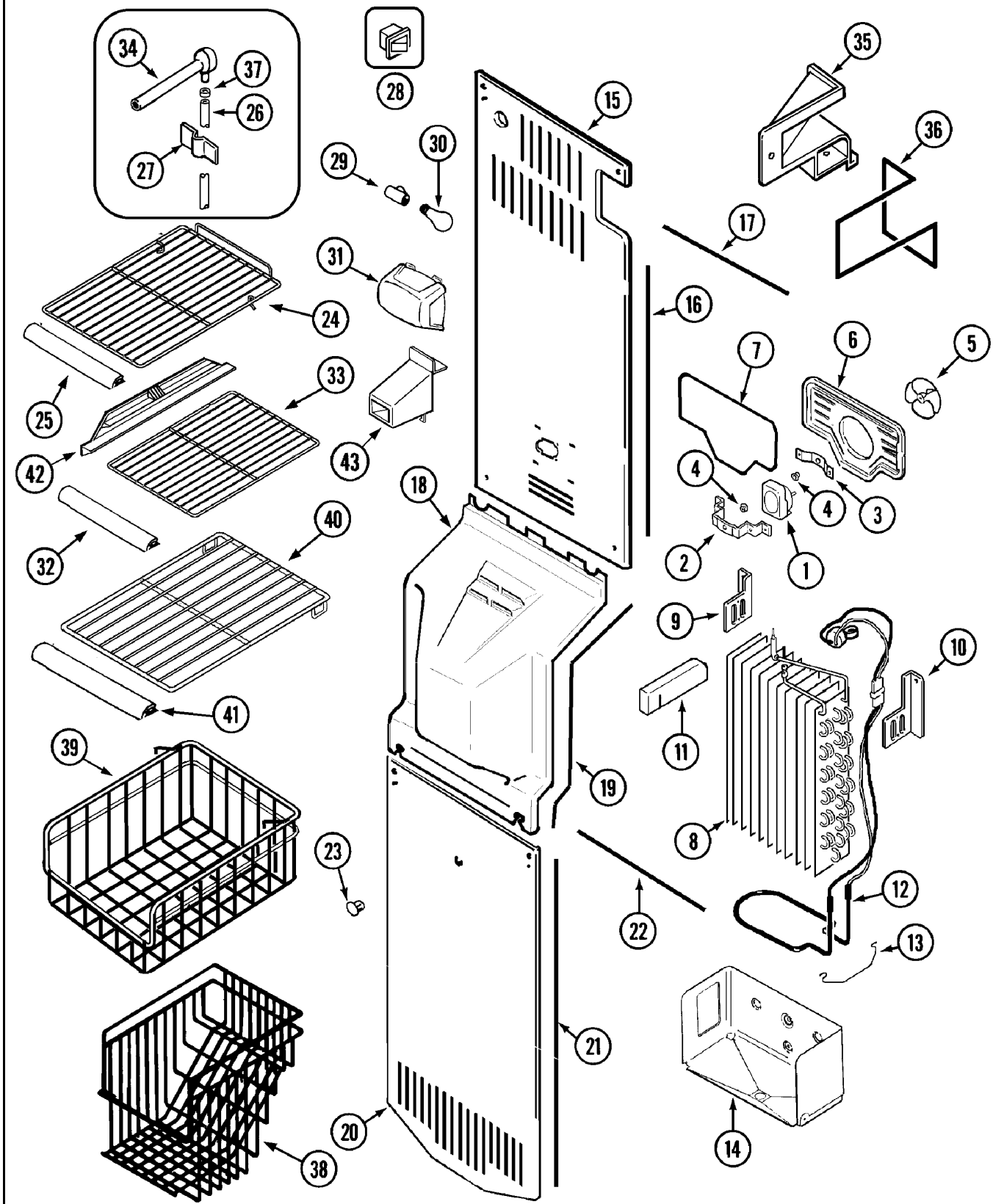
Section: FREEZER COMPARTMENT

No.	Part No.	Description	Series	Qty
1	61005339	MOTOR, EVAPORATOR FAN Note: MOTOR, EVAPORATOR FAN	10	1
2	61001930	BRACKET, EVAPORATOR FAN Note: BRACKET, EVAPORATOR FAN	10	1
-	61005240	SCREW Note: SCREW, BRACKET	10	2
3	61005340	RETAINER, EVAPORATOR FAN	10	1
-	61005240	SCREW Note: SCREW, RETAINER	10	2
4	61005341	BUSHING, EVAPORATOR FAN	10	2
5	61004522	BLADE, EVAPORATOR FAN	10	1
6	61003199	SHROUD, FAN	10	1
7	61003208	SEAL Note: SEAL, FAN SHROUD	10	1
8	12001641	EVAP/HEAT EXCH.ASSY27,29,CDSXS Note: EVAP. & HEAT EXCHANGER ASSY.	10	1
9	61003215	BRACKET, EVAPORATOR (LT)	10	1
10	61003216	BRACKET, EVAPORATOR (RT)	10	1
11	61003213	BLOCK, AIR	10	2
12	61004310	HEATER & THERM. ASSY., DEFROST	10	1
13	61004152	CLIP, DEFROST HEATER	10	1
14	61003830	HOUSING, EVAPORATOR	10	1
15	61005729	COVER, COIL (UPR)	12	1
15 N	61005851	COVER, COIL (UPR)	17	1
-	61004424	SCREW Note: SCREW, UPPER COVER	10	4
15	61005342	COVER, COIL (UPR)	10	1
16	61003832	SEAL, UPPER COVER (LT) Note: SEAL, UPPER COVER (LT)	10	1
16	61003833	SEAL, UPPER COVER (RT)	10	1
17	61003834	SEAL, UPPER COVER (TOP) Note: SEAL, UPPER COVER (TOP)	10	1
18	61003193	COVER, EVAPORATOR FAN	10	1
19	61003209	SEAL Note: SEAL, FAN COVER	10	2
20	61003836	COVER, COIL (LWR)	10	1
-	61004424	SCREW Note: SCREW, LOWER COVER	10	2
21	61003212	SEAL Note: SEAL, LOWER COVER (SIDE)	10	2
22	61003837	SEAL, LOWER COVER Note: SEAL, LOWER COVER	10	2
23	61001952	PLUG BUTTON, EVAP. COVER Note: PLUG BUTTON, EVAP. COVER	10	1
24	61005345	SHELF, FRZ. Note: SHELF, FRZ.	10	1
25 N	61005344	TRIM, SHELF (FRT.)----NA Note: TRIM, SHELF (FRT)	10	1
26	67579-1	TUBE, VALVE Note: TUBING, VALVE TO GROMMET	10	1
27	61004913	CLIP, WATER LINE (ADHESIVE)	10	3
28	61005052	SWITCH, LIGHT	10	1
28	61006167	SWITCH, LIGHT	27	1
29	61005748	RECEPTACLE, BULB	14	1
29	68974-3	RECEPTACLE, BULB Note: RECEPTACLE, BULB	10	1
30	31956-1	BULB, LIGHT	10	1
31	61002272	SHIELD, LIGHT Note: SHIELD, LIGHT	10	1
32	61005350	TRIM, SHELF (FRT)	15	1
32 N	61005348	TRIM, SHELF (FRT)	10	1
33	61005343	SHELF, FRZ.	10	1
33	61005349	SHELF, FRZ.	15	1
34	61005743	GROMMET, FILL TUBE	16	1
34	61005233	GROMMET, FILL TUBE	10	1
-	67877-1	CLIP, FILL TUBE Note: CLAMP, FILL TUBE	10	1
35	61003205	DIVERTER, AIR	10	1
-	400017-1	SCREW Note: SCREW, DIVERTER	10	1
36	61003206	SEAL, AIR DIVERTER	10	1
37	61001161	CLAMP, WATER LINE Note: CLAMP, WATER LINE	10	1
38	61005346	BASKET, FRZ.	10	1
39 N	61005347	BASKET, FRZ. (HALF)----NA	10	1
40	61005349	SHELF, FRZ.	10	1
41	61005350	TRIM, SHELF (FRT)	10	1
-	400026-36	SCREW Note: SCREW, RAIL	10	4

*Color Code (-)=Not Shown #=Series, Serial Prefix or Run No., N=Not Available

Section: FREEZER COMPARTMENT

Model: MZD2766GES



A53-303

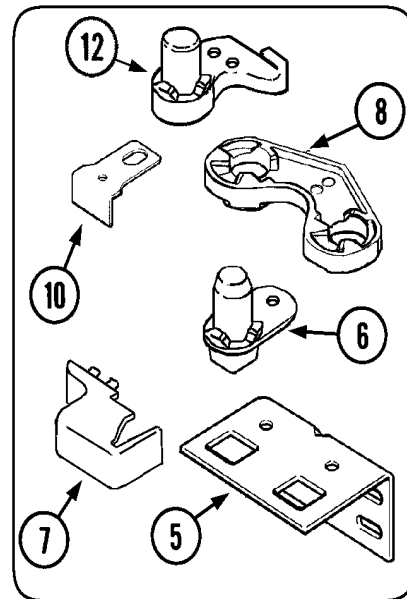
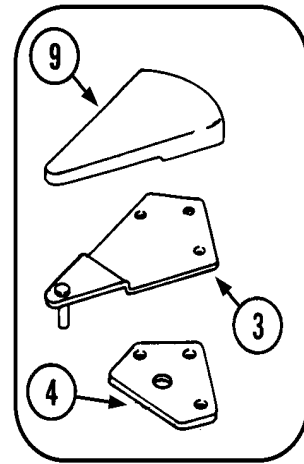
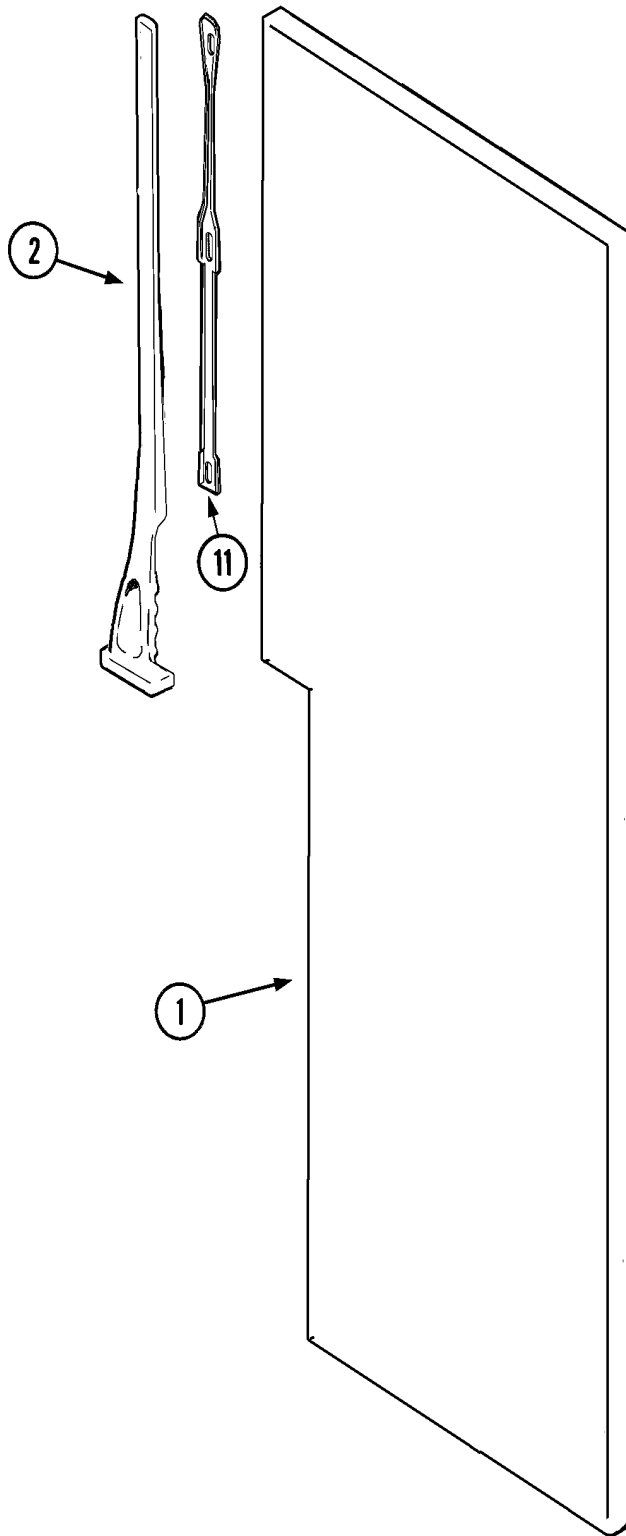
Section: FREEZER COMPARTMENT

No.	Part No.	Description	Series	Qty
42	69710-2	RAIL, ICE BIN Note: RAIL, FRZ. SHELF	10	2
43	12001952	KIT, ICE MAKER AIR TUNNEL Note: TUNNEL KIT, ICE MAKER AIR	10	1
43	61005812	TUNNEL, AIR	17	1
-	61003731	WIRE HARNESS, FRZ.	10	1
-	61005351	WIRE HARNESS, FAN & HEATER	10	1

*Color Code (-)=Not Shown #=Series, Serial Prefix or Run No., N=Not Available

Section: FRESH FOOD OUTER DOOR

Model: MZD2766GES



A54-461

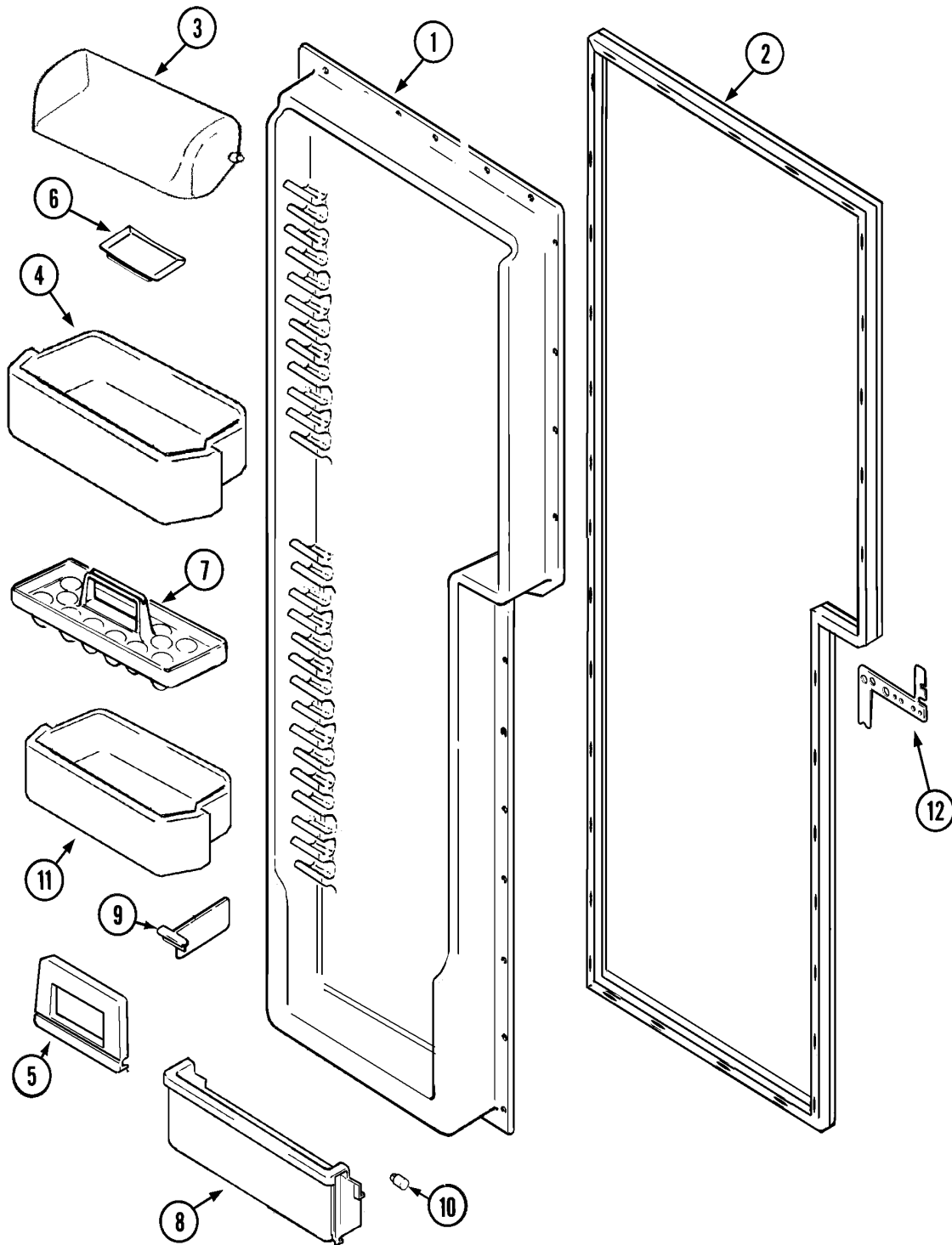
Section: FRESH FOOD OUTER DOOR

No.	Part No.	Description	Series	Qty
1	61005723	PANEL, F.F. DOOR (STNLS) Note: (W/CLOSER & STOP) (SM RADIUS)	10	1
-	61005685	LABEL, DUAL ENERGY GUIDE	10	1
1	61006144	PANEL, F.F. DOOR (STNLS) Note: (W/CLOSER & STOP) (SM RADIUS)	25	1
2	61005379	HANDLE, F.F. DOOR (BLK)	10	1
-	61005463	SCREW Note: SCREW, HANDLE	10	2
3	61004896	HINGE, UPPER	10	1
-	61004763	SCREW Note: SCREW, UPPER HINGE	10	3
4	61001922	SHIM, UPPER HINGE	10	1
-	61003128	SCREW Note: SCREW, LOWER HINGE	10	3
5	61002361	HINGE, LOWER (BLK)	10	1
6	61003174	PIN, LOWER HINGE	10	1
7	61003537	COVER, LOWER HINGE (BLK)	10	1
9	61004868	COVER, UPPER HINGE (SLV)	10	1
10	61003273	STOP, DOOR	10	1
-	61002180	SCREW Note: SCREW, DOOR STOP	10	1
-	61002912	ANCHOR, SCREW Note: GROMMET, SCREW	10	2
-	61005467	SCREW Note: SCREW, BASE	10	2
-	61005462	SCREW Note: SCREW, BASE	10	1
11	61005556	BASE, HANDLE (F.F.) Note: BASE, HANDLE	10	1
-	61002180	SCREW Note: SCREW, CLOSER	10	1
12	61005724	CLOSER, DOOR (W/CUP)	10	1

*Color Code (-)=Not Shown #=Series, Serial Prefix or Run No., N=Not Available

Section: FRESH FOOD INNER DOOR

Model: MZD2766GES



A54-445

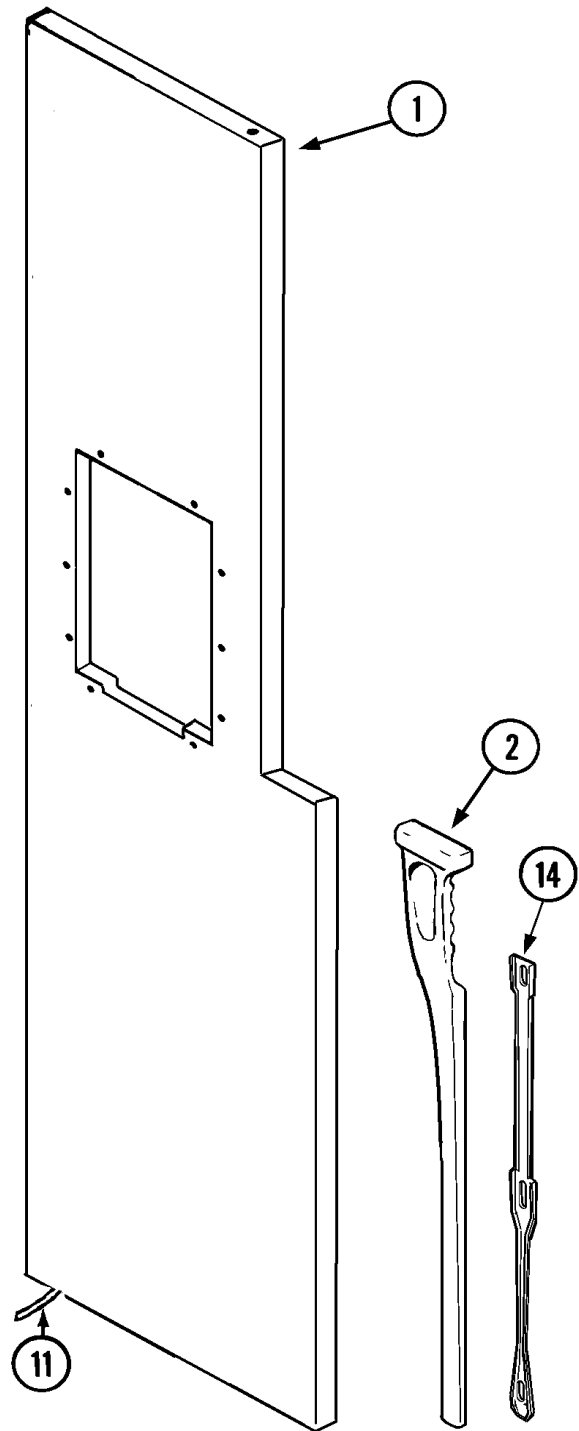
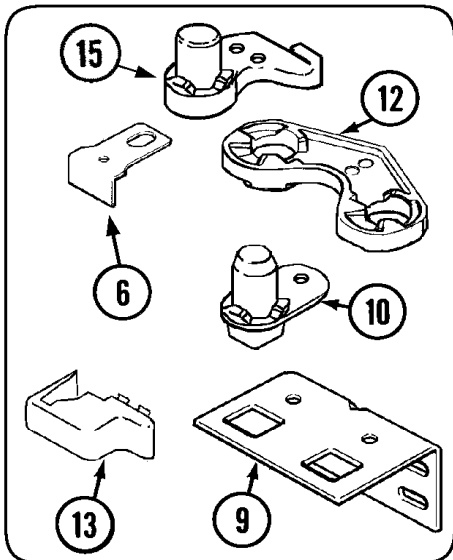
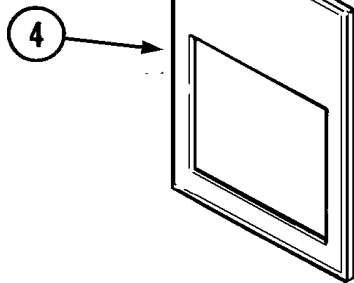
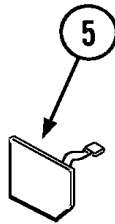
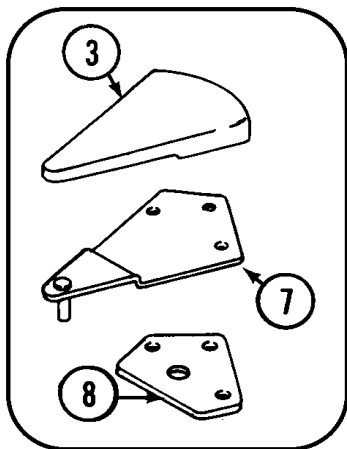
Section: FRESH FOOD INNER DOOR

No.	Part No.	Description	Series	Qty
-	61005356	INSERT, LINER SUPPORT(TOP/BTM)	10	1
-	61005005	SCREW Note: SCREW, LINER	10	44
1	12002004	KIT, F.F. DOOR LINER Note: LINER KIT, F.F. DOOR (INCL. 2 BUCKET STOPS)	21	1
-	61005355	INSERT, LINER SUPPORT (SIDES)	10	1
1	61005354	LINER, F.F. DOOR	10	1
2	61005464	SEAL, F.F. DOOR (BLK)	10	1
3 N	61005358	DOOR, DAIRY	10	1
4	61005361	SHELF, PICK-OFF (UPR)	10	2
5	61002273	RETAINER, BOTTLE Note: RETAINER, BOTTLE	10	1
6	29936-2	TRAY, BUTTER Note: TRAY, BUTTER	10	1
7	60066-1	TRAY, EGG	10	1
8	61005359	BUCKET, TIP OUT	10	1
9	61002274	ORGANIZER, SHELF Note: ORGANIZER, SHELF	10	1
10	61002719	STOP, BUCKET	10	2
10	61005929	STOP, BUCKET	21	2
11	61005360	SHELF, PICK-OFF Note: SHELF, PICK-OFF (LWR)	10	2
12	61005466	SHIM, DOOR SEAL (BLK)	10	1

*Color Code (-)=Not Shown #=Series, Serial Prefix or Run No., N=Not Available

Section: FREEZER OUTER DOOR

Model: MZD2766GES



A55-350

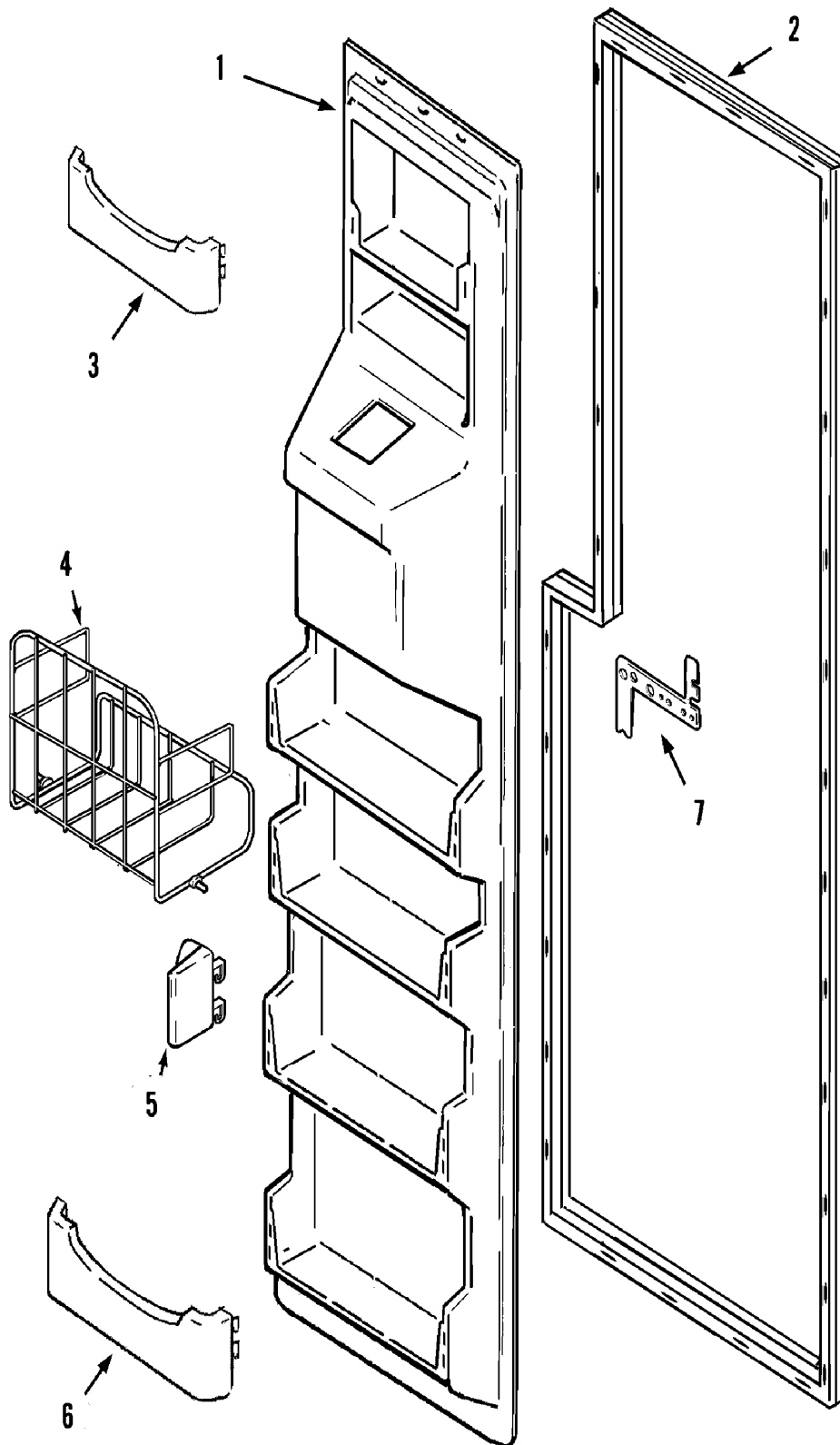
Section: FREEZER OUTER DOOR

No.	Part No.	Description	Series	Qty
1	61005725	PANEL, FRZ. DOOR (STNLS) Note: (W/HARNESS, UPPER HINGE, STOP & CLOSER) (SMALL RADIUS)	10	1
1	61006143	PANEL, FRZ. DOOR (STNLS) Note: (W/HARNESS, UPPER HINGE, STOP & CLOSER) (SMALL RADIUS)	25	1
2	61005385	HANDLE, FRZ. DOOR (BLK)	10	1
-	61005463	SCREW Note: SCREW, HANDLE	10	2
-	61004641	SCREW, COVER Note: SCREW, COVER	10	1
3	61004867	COVER, UPPER HINGE (SLV)	10	1
-	415013-35	SCREW Note: SCREW, ESCUTCHEON	10	2
4	61005386	ESCUTCHEON (BLK)	10	1
5	61005277	BOARD, FTN. SWITCH	10	1
- N	61003422	SCREW Note: SCREW, BOARD	10	3
-	61002180	SCREW Note: SCREW, DOOR STOP	10	1
6	61003273	STOP, DOOR	10	1
7	61004896	HINGE, UPPER	10	1
-	61004763	SCREW Note: SCREW, UPPER HINGE	10	3
8	61001922	SHIM, UPPER HINGE	10	1
-	61003128	SCREW Note: SCREW, LOWER HINGE	10	3
9	61002361	HINGE, LOWER (BLK)	10	1
10	61003174	PIN, LOWER HINGE	10	1
-	61001614	UNION, REDUCING (5/16"-5/16")	10	1
11	61004569	TUBING, FOUNTAIN	10	1
13	61003529	COVER, LOWER HINGE (BLK)	10	1
-	61005467	SCREW Note: SCREW, BASE	10	2
-	61005462	SCREW Note: SCREW, BASE	10	1
-	61002912	ANCHOR, SCREW Note: GROMMET, SCREW	10	2
14	61005557	BASE, HANDLE (FRZ.) Note: BASE, HANDLE	10	1
15	61005726	CLOSER, DOOR (W/CUP)	10	1
-	61002180	SCREW Note: SCREW, CLOSER	10	1

*Color Code (-)=Not Shown #=Series, Serial Prefix or Run No., N=Not Available

Section: FREEZER INNER DOOR

Model: MZD2766GES



A55-341

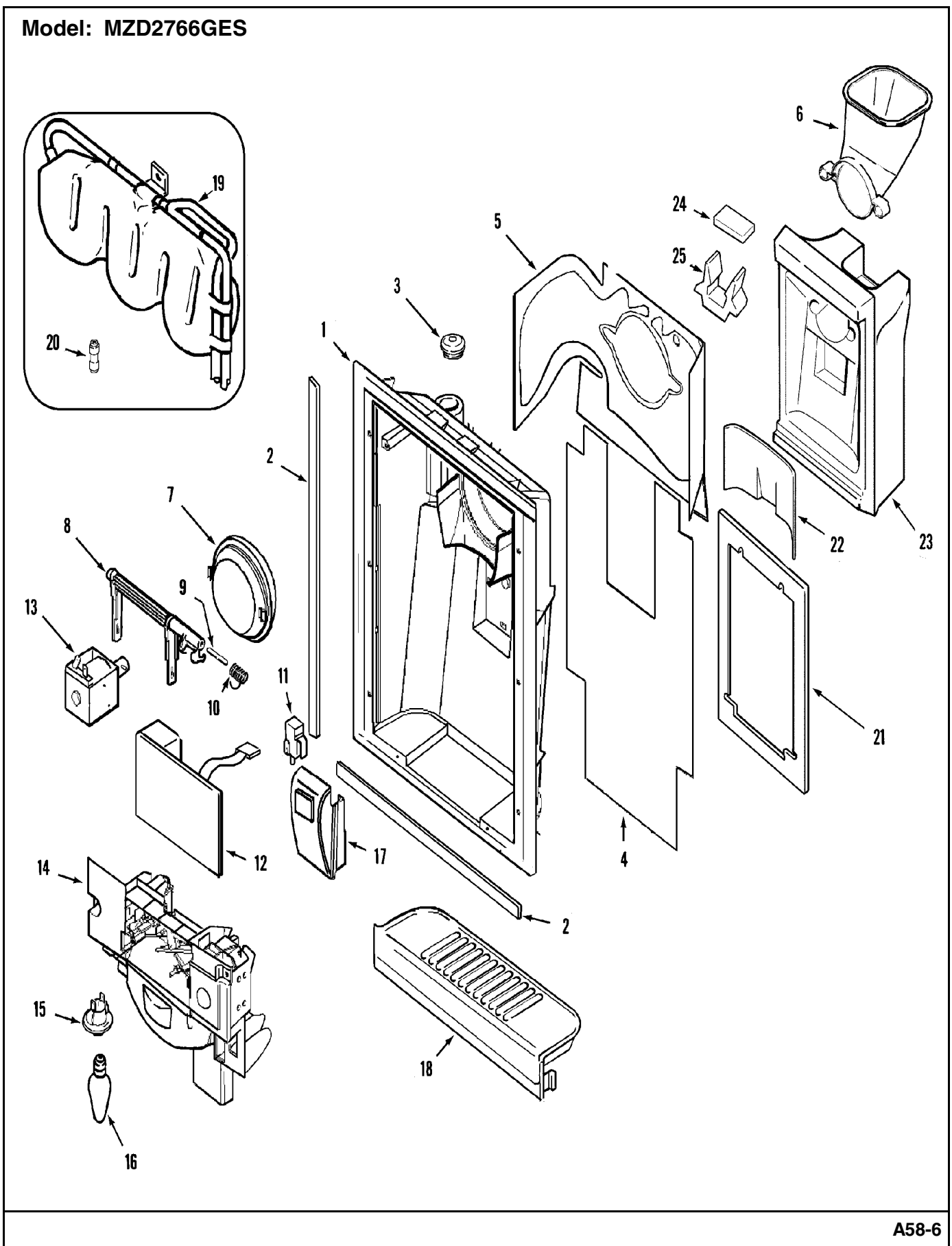
Section: FREEZER INNER DOOR

No.	Part No.	Description	Series	Qty
-	61005367	INSERT, LINER SUPPORT (SIDE)	10	1
-	61005005	SCREW Note: SCREW, LINER	10	41
1	61005365	LINER, FRZ. DOOR	10	1
-	61005366	INSERT, LINER SUPPORT(TOP/BTM)	10	1
2	61005380	SEAL, FRZ. DOOR (BLK)	10	1
3	61005369	FRONT, PICK-OFF (UPR)	10	1
4 N	61005370	BASKET, TILTDOWN	10	2
5	61003753	STOP, BASKET (LT)	10	2
5	61003754	STOP, BASKET (RT)	10	2
6	61005371	FRONT, PICK-OFF (LWR)	10	2
7	61005466	SHIM, DOOR SEAL (BLK)	10	1

*Color Code (-)=Not Shown #=Series, Serial Prefix or Run No., N=Not Available

Section: FOUNTAIN

Model: MZD2766GES



A58-6

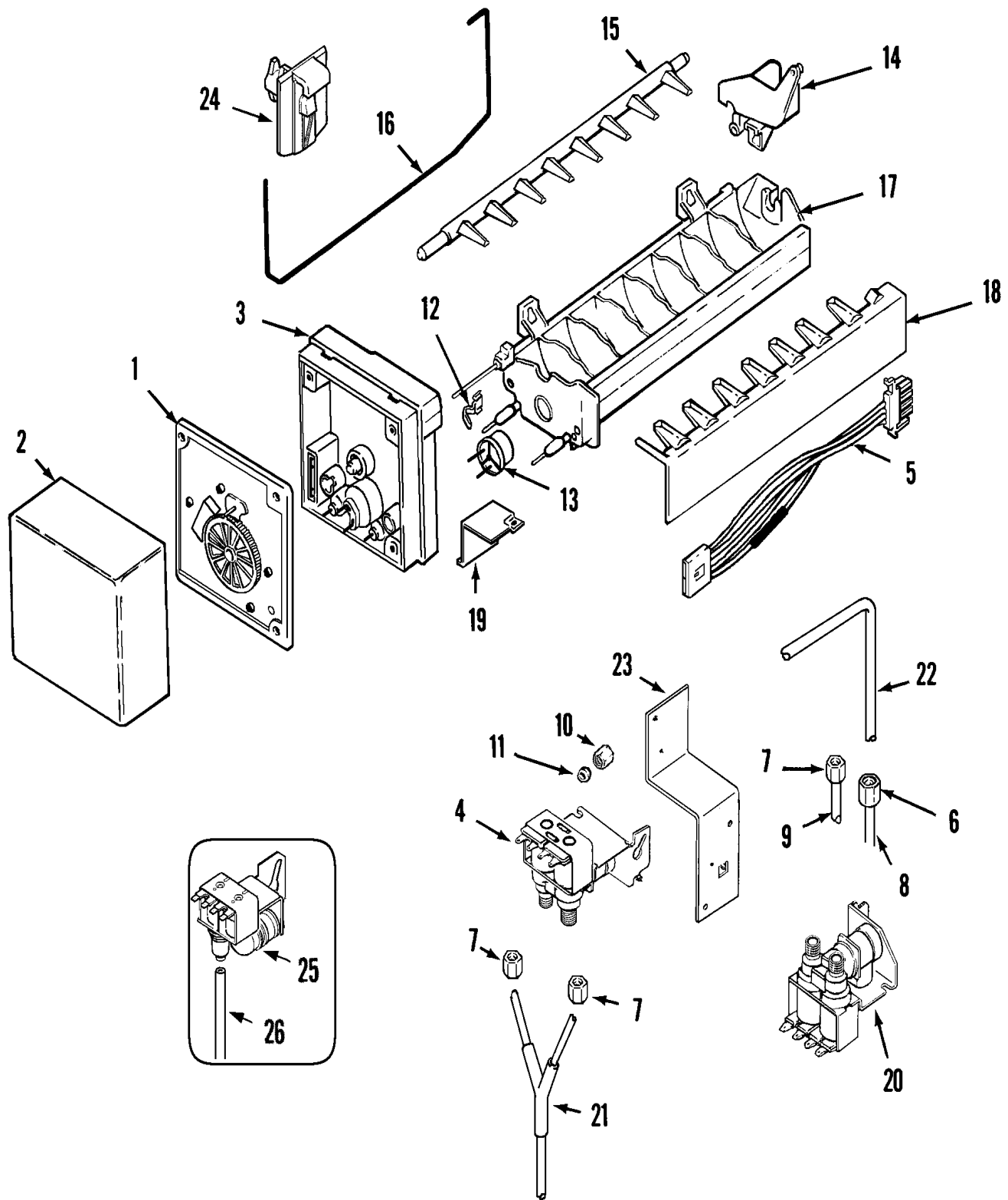
Section: FOUNTAIN

No.	Part No.	Description	Series	Qty
1	61004681	HOUSING, FOUNTAIN (BLK) Note: (MUST ORDER TAPE)	10	1
-	415013-35	SCREW Note: SCREW, HOUSING	10	6
-	61003307	SCREW Note: SCREW, HOUSING (TOP)	10	2
2	61003286	TAPE (1FT.) Note: TAPE, FTN. HOUSING (4 FT.)	10	1
3	61003300	GROMMET, WATER TUBE	10	1
4	61003304	FOIL, FTN. BACK	10	1
5	61005001	HEATER, FOUNTAIN	10	1
-	415013-35	SCREW Note: SCREW, ICE CHUTE	10	2
6	61004677	CHUTE, ICE	10	1
7	12001991	KIT, FOUNTAIN ICE DOOR (115V) Note: DOOR KIT, ICE (INCL. ICE DOOR 61005883, STRIKE 61005886, & SOLENOID 61005884)	10	1
8	Y00000000	SEE NOTE Note: (STRIKE NOT AVAILABLE MUST ORDER ICE DOOR KIT 12001991)	10	1
9	61003303	PIN, ROLL	10	1
10	61004388	SPRING, FTN. RETURN	10	1
-	415041-35	SCREW Note: SCREW, SWITCH	10	1
11	61003124	SWITCH, LIMIT	10	1
12	61005274	BOARD, CONTROL	10	1
-	61005372	BARRIER	10	1
-	61003297	SCREW Note: SCREW, SOLENOID	10	2
13	Y00000000	SEE NOTE Note: (SOLENOID NOT AVAILABLE MUST ORDER ICE DOOR KIT 12001991)	10	1
14	61003803	BRACKET, FOUNTAIN (BLK)	10	1
-	415013-35	SCREW Note: SCREW, BRACKET	10	3
15	70119-1	RECEPTACLE, BULB Note: RECEPTACLE, BULB	10	1
16	63179-1	BULB, LIGHT	10	1
17	61003804	PAD, ACTUATOR (BLK)	10	1
18	61003594	GRILL (BLK)	10	1
-	400022-1	SCREW Note: SCREW, WATER TANK	10	1
19	61003689	TANK ASSY., WATER	10	1
20	61001614	UNION, REDUCING (5/16"-5/16") Note: UNION, REDUCING (5/16"-5/16")	10	1
21 N	61003339	INSULATION Note: INSULATION, HSG. PERIMETER	10	1
22	61003340	INSULATION Note: INSULATION, HSG. REAR	10	1
23	61005373	INSULATION, FTN. (STYROFOAM) Note: INSULATION, FTN. (STYROFOAM)	10	1
24	61003343	INSULATION Note: INSULATION, CHUTE (BOTTOM)	10	1
25	61003308	INSULATION Note: INSULATION, ICE CHUTE	10	1
-	61005275	WIRE HARNESS, FTN.	10	1

*Color Code (-)=Not Shown #=Series, Serial Prefix or Run No., N=Not Available

Section: ICE MAKER

Model: MZD2766GES



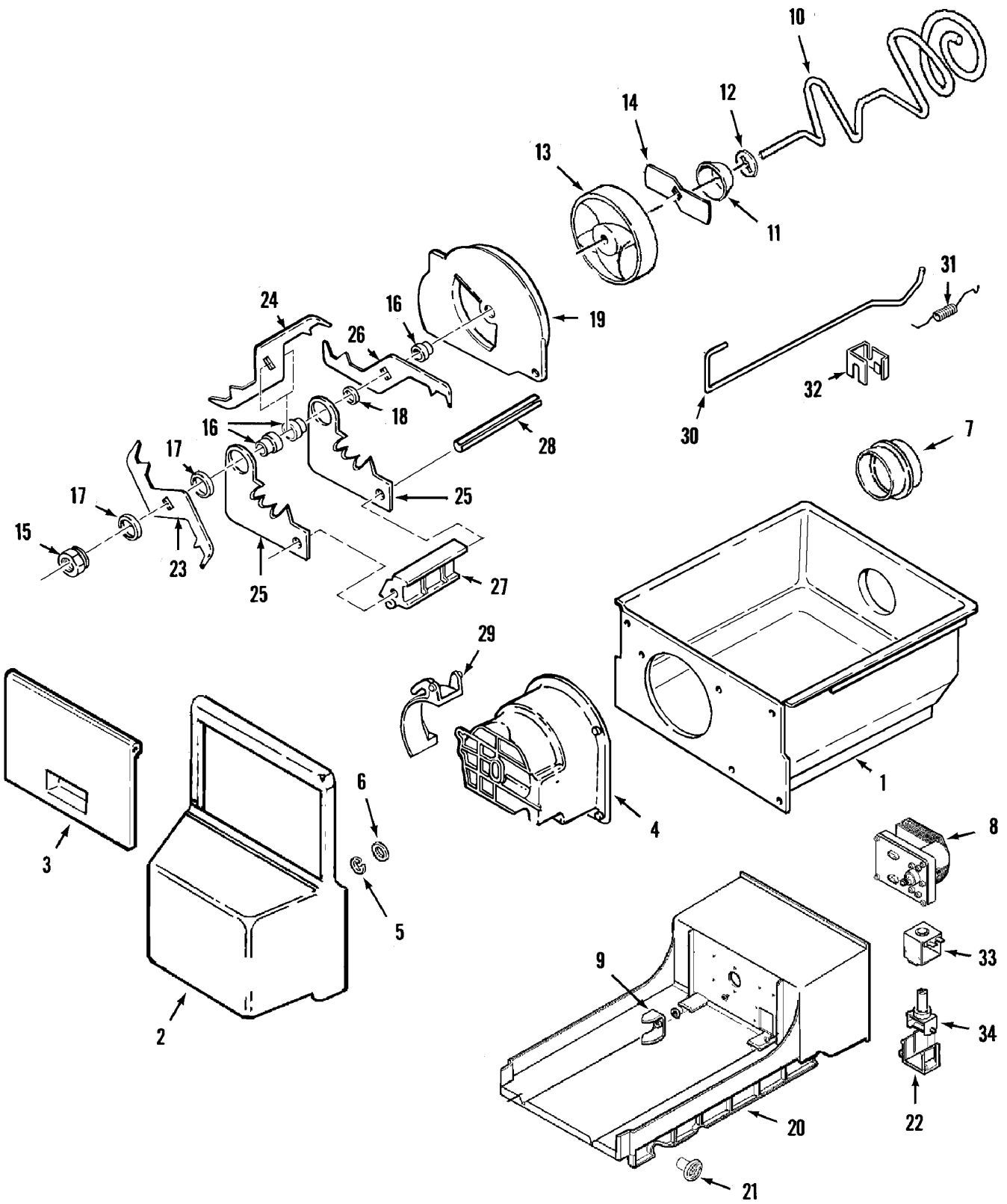
Section: ICE MAKER

No.	Part No.	Description	Series	Qty
1	95109-1	MODULE, ICE MAKER	10	1
-	400017-1	SCREW Note: SCREW, ICE MAKER	10	1
2	61005374	COVER, ICE MAKER	10	1
-	95106-1	SCREW Note: SCREW, MODULE TO SUPPORT	10	3
3	95103-1	SUPPORT, MODULE HOUSING	10	1
-	61001885	SCREW Note: SCREW, WATER VALVE	10	1
4	61003783	VALVE, WATER (FILTER) Note: VALVE, WATER (FILTER)	10	1
5	61005278	WIRE HARNESS, ICE MAKER	10	1
6	69583-2	NUT, COMPRESSION (5/16")	10	1
7	69583-1	NUT, COMPRESSION (1/4")	10	3
8	Y00000000	SEE NOTE Note: (MUST ORDER TANK ASSY. PART NO. 61003689)	10	1
9	67579-1	TUBE, VALVE Note: TUBING, VALVE TO GROMMET	10	1
10	69432-1	NUT, BRASS (1/4") Note: NUT, BRASS (1/4")	10	1
11	69431-1	SLEEVE, BRASS	10	1
12	95104-1	RETAINER, THERMOSTAT	10	1
13	95092-1	THERMOSTAT	10	1
- N	95093-1	CEMENT, ALUMILASTIC (4 OZ.) Note: CEMENT, ALUMILASTIC (4 OZ.)	10	1
14	95100-1	INLET, WATER	10	1
15	95101-1	EJECTOR, ICE	10	1
16	70142-1	ARM, SENSOR	10	1
17	95098-1	MOLD & HEATER ASSY. Note: MOLD & HEATER ASSY.	10	1
18	95102-1	STRIPPER, ICE	10	1
-	95108-1	SCREW, BRACKET Note: SCREW, BRACKET	10	1
19	95107-1	BRACKET, MODULE & HEATER	10	1
20	61005626	VALVE, WATER (ICE MAKER) Note: VALVE, WATER (ICEMAKER)	11	1
-	61001885	SCREW Note: SCREW, WATER VALVE	10	1
-	61005058	CLIP, WATER LINE (ADHESIVE) Note: CLIP, WATER LINE (ADHESIVE)	10	3
-	61001161	CLAMP, WATER LINE	10	2
21	61004391	GROMMET ASSY., WATER LINE Note: (Y TUBE)	10	1
22	61004392	GROMMET ASSY., WATER LINE	10	1
22	61005683	GROMMET ASSY., WATER LINE	11	1
23	61003732	BRACKET, WATER VALVE	10	1
-	61002819	SCREW Note: SCREW, BRACKET	10	1
24	61005028	SUPPORT, ICE MAKER	10	2
25	61005627	VALVE, WATER (FILTER) Note: VALVE, WATER (FILTER)	11	1
26	61005682	GROMMET ASSY., WATER LINE	11	1

*Color Code (-)=Not Shown #=Series, Serial Prefix or Run No., N=Not Available

Section: ICE BIN

Model: MZD2766GES



A56-81

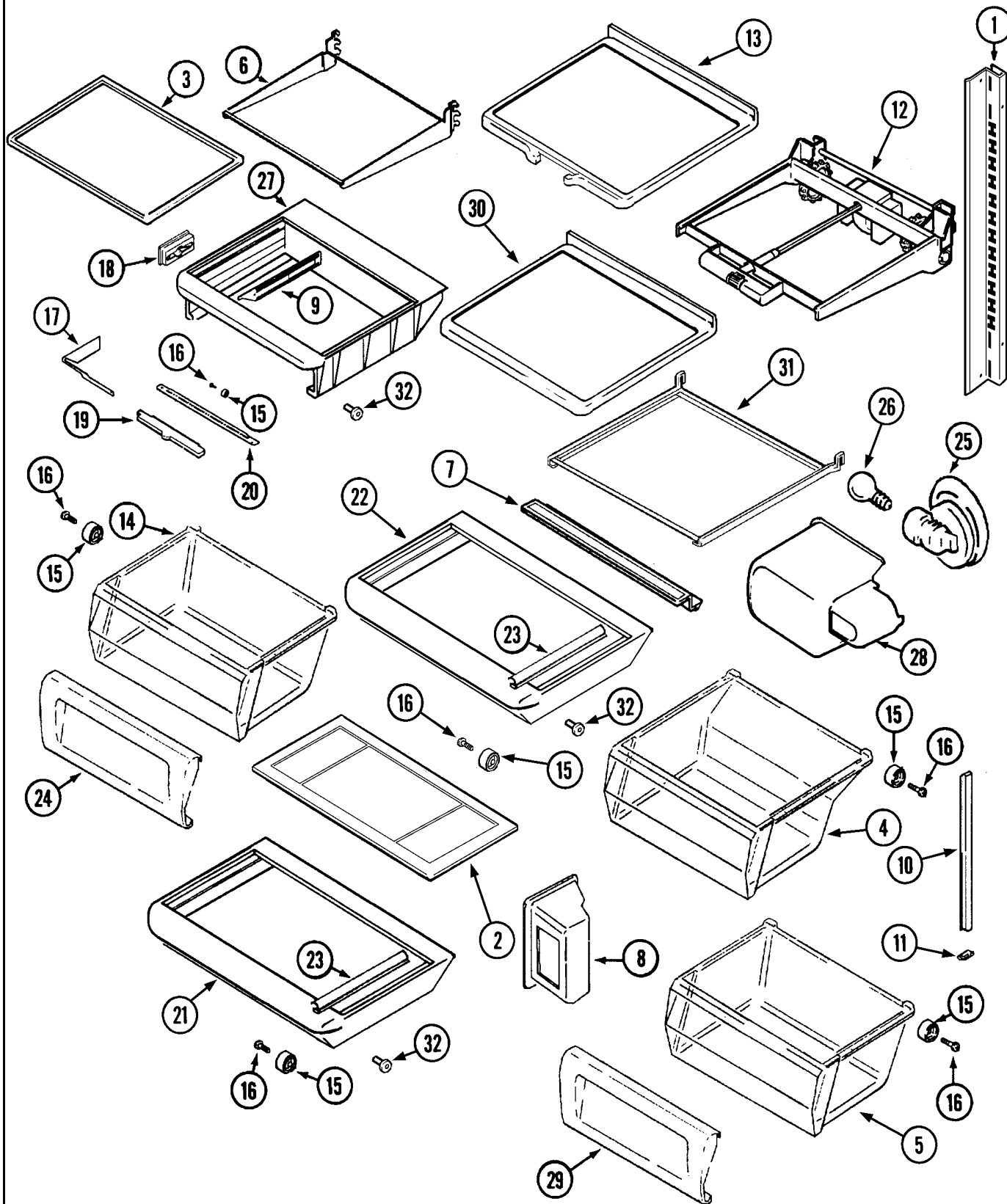
Section: ICE BIN

No.	Part No.	Description	Series	Qty
1	61004802	BIN, ICE	10	1
2	61004864	FRONT, ICE BIN	10	1
-	415013-35	SCREW Note: SCREW, BIN FRONT	10	4
3	61004327	DOOR, ICE BIN Note: DOOR, ICE ACCESS	10	1
4	61004804	HOUSING, CRUSHER	10	1
-	415013-35	SCREW Note: SCREW, HOUSING	10	4
-	61004869	SEAL Note: SEAL, HOUSING	10	2
5	69704-1	RING, SNAP	10	1
6	69703-1	WASHER, RETAINER	10	1
7	61003336	RING, DRIVE	10	1
8	12001773	ASSY., AUGER MOTOR/YOKE Note: MOTOR ASSY., AUGER (W/YOKE)	10	1
-	61005281	WIRE HARNESS, AUGER MOTOR	10	1
-	61003324	SCREW Note: SCREW, MOTOR	10	4
9	63052-1	YOKE, ICE DISPENSER Note: YOKE	10	1
10	61003326	AUGER	10	1
11	69699-1	CONE, ICE DEFLECTOR	10	1
12	69698-1	WASHER, CONE STOP	10	1
13	70036-1	IMPELLER	10	1
14	69755-1	PLATE, DRIVE	10	1
15	69709-1	NUT, AUGER	10	1
16	69697-1	BEARING, SPACER	10	3
17	69696-1	SPACER, CRUSHER BLADE Note: SPACER, BLADE	10	2
18	69696-2	SPACER, BLADE Note: SPACER, BLADE	10	1
19	69701-1	PLATE, IMPELLER	10	1
-	400022-1	SCREW Note: SCREW, ENCLOSURE	10	2
20	61005375	ENCLOSURE, ICE	10	1
21	61005080	SUPPORT, ENCLOSURE	10	2
-	400022-1	SCREW Note: SCREW, SUPPORT	10	2
-	400026-12	SCREW Note: SCREW, GUIDE	10	2
22	69715-1	GUIDE, YOKE	10	1
23	69702-3	BLADE, CRUSHER	10	1
24	69702-2	BLADE, CRUSHER	10	1
25	69706-1	BLADE, CRUSHER	10	2
26	69702-1	BLADE, CRUSHER	10	1
27	69708-1	LOCK, FIXED BLADE	10	1
28	69705-1	PIN, BLADE LOCK	10	1
29	69718-1	DOOR, ICE CRUSHER	10	1
30	61004807	ROD, CRUSHER CONTROL	10	1
31	61004808	SPRING, CONTROL ROD	10	1
32	61004809	BRACKET, CONTROL ROD	10	1
-	61003324	SCREW Note: SCREW, SOLENOID	10	2
33	61005253	SOLENOID	10	1
34	61003539	YOKE ASSY. Note: YOKE ASSY.	10	1

*Color Code (-)=Not Shown #=Series, Serial Prefix or Run No., N=Not Available

Section: SHELVES & ACCESSORIES

Model: MZD2766GES



A57-149

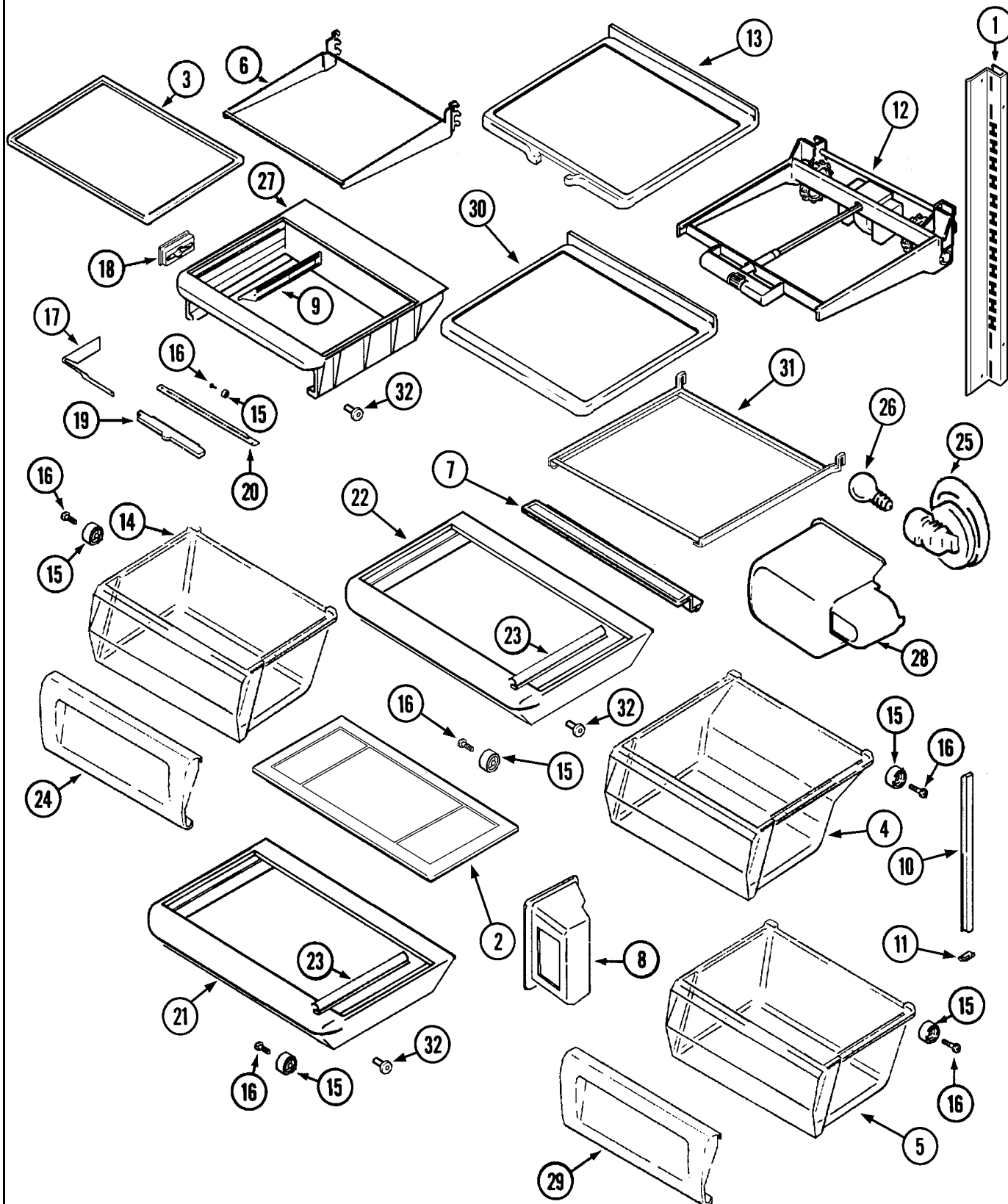
Section: SHELVES & ACCESSORIES

No.	Part No.	Description	Series	Qty
-	61005331	SCREW Note: SCREW, RAIL (FLAT HEAD)	10	4
-	61005467	SCREW Note: SCREW, RAIL (PAN HEAD)	10	6
1	61005330	RAIL, SHELF SUPPORT	10	2
2	61005083	COVER, CRISPER SHELF (LWR)	10	1
2	61005082	COVER, CRISPER SHELF (UPR) Note: COVER, CRISPER SHELF (UPR)	10	1
3	61003734	GLASS, MEAT SHELF (SPILLPROOF) Note: GLASS, MEAT SHELF (SPILLPROOF)	10	1
4	61005712	PAN ASSY., CRISPER (UPR) Note: (INCL. ROLLERS)	11	1
4	61003667	PAN, CRISPER (UPR) Note: PAN, CRISPER (UPR)	10	1
5	61003668	PAN, CRISPER (LWR) Note: PAN, CRISPER (LWR)	10	1
5	61005714	PAN ASSY., CRISPER (LWR) Note: (INCL. ROLLERS)	11	1
6	61005483	FRAME, SHELF Note: FRAME, SLIDE OUT SHELF	10	1
7 N	61005084	SEAL, CRISPER SHELF (REAR) Note: SEAL, CRISPER SHELF (REAR)	10	2
8	61004287	COVER ASSY., AIR RETURN	10	1
9	61003723	COVER, MEAT CONTROL TAPE	10	1
-	415013-35	SCREW Note: SCREW, COVER (CONTROL TAPE)	10	1
10	61003888	STRIP, FILLER (SIDES)	10	2
11	61004110	BASE, FILLER STRIP (LT)	10	1
-	400019-1	SCREW Note: SCREW, BASE	10	2
11	61004109	BASE, FILLER STRIP (RT)	10	1
12	61005332	FRAME ASSY., ELEVATOR SHELF	10	1
-	61004480	GLIDE, SHELF	10	2
13	61005334	SHELF, ELEVATOR	10	1
13	61005333	SHELF, SPILLPROOF Note: SHELF, SLIDE-OUT	10	1
14	61005716	PAN ASSY., MEAT Note: (INCL. ROLLERS)	13	1
14	61003718	PAN, MEAT	10	1
15	61002307	ROLLER Note: ROLLER (CRISPER SHELF)	23	4
15	61002307	ROLLER Note: ROLLER (MEAT/CRISPER SHELF)	24	2
15	61002307	ROLLER Note: ROLLER (CRISPER PAN)	11	4
15	67423-2	ROLLER	10	12
16	61004728	SCREW Note: SCREW, ROLLER (MEAT PAN)	13	2
16	61004728	SCREW Note: SCREW, ROLLER (MEAT/CRISP SHF)	24	2
16	65275-6	SCREW Note: SCREW, ROLLER	10	12
16	61004728	SCREW Note: SCREW, ROLLER (CRISPER SHELF)	23	4
16	61004728	SCREW Note: SCREW, ROLLER (CRISPER PAN)	11	4
17	61003722	TAPE, MEAT CONTROL	10	1
-	61003725	RETAINER, DUCT	10	1
18	61006055	DUCT, AIR (MEAT)	24	1
18	61003785	DUCT, AIR (MEAT)	10	1
19	61003674	SLIDE, CONTROL (MEAT)	10	1
-	415013-35	SCREW Note: SCREW, COVER (CONTROL SLIDE)	10	2
20	61003784	COVER, MEAT PAN SLIDE Note: COVER, SLIDE CONTROL (MEAT)	10	1
21	61006154	FRAME, CRISPER SHELF (LWR)	23	1
21	61003712	SHELF, CRISPER (LWR) Note: FRAME, CRISPER SHELF (LWR)	10	1
22	61006153	FRAME, CRISPER SHELF (UPR)	23	1
22	61003713	SHELF, CRISPER (UPR) Note: FRAME, CRISPER SHELF (UPR)	10	1
23	61003715	SEAL, CRISPER SIDE (LWR)	10	2
23	61003714	SEAL, CRISPER SIDE (UPR)	10	2
24	61004507	FRONT ASSY., MEAT PAN Note: FRONT ASSY., MEAT PAN	10	1
25	61003379	RECEPTACLE, BULB	10	1
26	61001787	BULB, LIGHT	10	1
27	61003770	FRAME, MEAT SHELF Note: FRAME, MEAT SHELF	10	1
27	61006087	FRAME, MEAT SHELF	24	1
28	61003439	SHIELD, LIGHT	10	1
29	61005085	FRONT ASSY., CRISPER PAN Note: FRONT ASSY., CRISPER PAN	10	2
30	61005335	SHELF, SPILLPROOF (LWR)	10	1
31	61005336	FRAME, SHELF (LWR) Note: FRAME, SPILLPROOF SHELF (LWR)	10	1

*Color Code (-)=Not Shown #=Series, Serial Prefix or Run No., N=Not Available

Section: SHELVES & ACCESSORIES

Model: MZD2766GES



A57-149

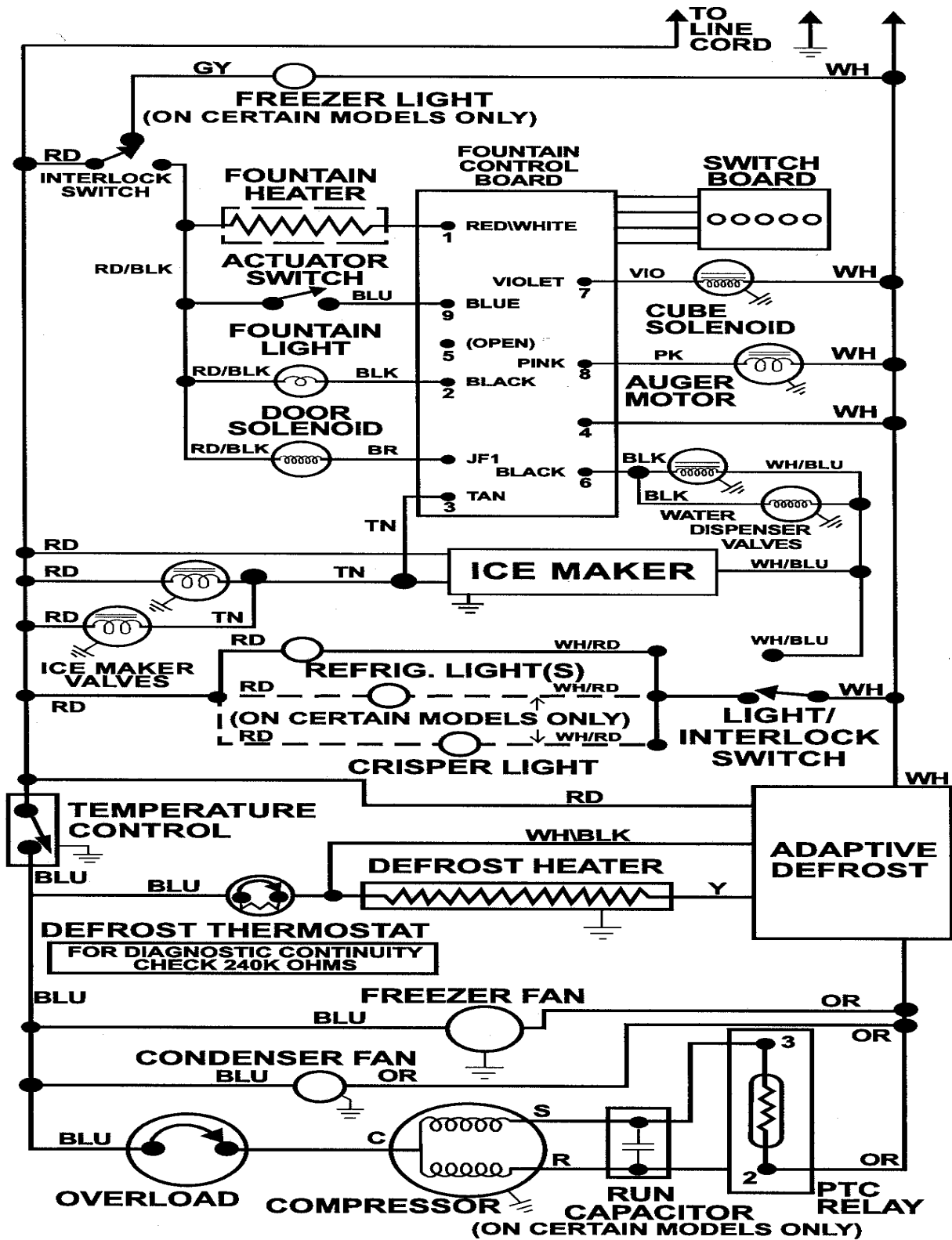
Section: SHELVES & ACCESSORIES

No.	Part No.	Description	Series	Qty
32	67764-1	SUPPORT, CRISPER SHELF Note: SUPPORT, CRISP/MEAT SHELF (RT)	10	3
32	61005337	SUPPORT, CRISPER SHELF Note: SUPPORT, CRISP/MEAT SHELF (LT)	10	3
-	400017-1	SCREW Note: SCREW, SUPPORT (RT)	10	3
-	61005338	SCREW Note: SCREW, SUPPORT (LT)	10	3

*Color Code (-)=Not Shown #=Series, Serial Prefix or Run No., N=Not Available

Section: WIRING INFORMATION

Model: MZD2766GES



15002760

