



CAVALRY™
Instruction Manual

EN-CAHDD2BU3-ZB

USB 3.0 Dual-Drive Dock



Cavalry, the names of series and the Cavalry logo are registered trademarks of Cavalry Storage. All other trademarks or registered trademarks are the property of their respective owners. When referring to hard drive capacity, one gigabyte, or GB, equals one billion bytes and one terabyte, or TB, equals one trillion bytes. Your computer's operating system may use a different standard of measurement and report a lower capacity. In addition, some of the listed capacity is used for formatting and other functions, and thus will not be available for data storage. Actual quantities will vary based on various factors, including file size, file format, features and application software. Cavalry reserves the right to change, without notice, product offerings or specifications. Cavalry Storage, Inc., 555 East Easy St., Simi Valley, CA 93065, (805) 426-1000

Table of Contents

CHAPTER 1. GETTING STARTED	1
Features and Application.....	1
Specifications	1
System Requirements	1
Package Content	1
CHAPTER 2. INSTALLATION GUIDE	2
Product Part Identification	2
Pre-Configured Dock Setting (JBOD Mode)	2
Installation Step 1	2
Installation Step 2	3
CHAPTER 3. SUPPORT	4
HDD LED Status Codes	4
Troubleshooting	4
Warranty Information	5
Contact Information	5

FEATURES

Thank you for choosing the Cavalry USB 3.0 Hard Drive Dock. USB 3.0 is the cutting-edge of storage technology. It offers:

- ❖ A maximum of 640 megabytes per second file-transfer speed that allows you to get the absolute highest upload and download speeds that your drives are capable of.
- ❖ Backward compatibility with USB 2.0 motherboards and a variety of Plug and Play operating systems.
- ❖ The easy access dock design, which allows you to use both 3.5" desktop and 2.5" notebook drives, all in the same dock.

SPECIFICATIONS

- ❖ **Model #:** EN-CAHDD2BU3-ZB
- ❖ **Interfaces:** Internal: 2 x SATA II; External: 1 x USB 3.0 - up to 5 Gbit/s
- ❖ **Power Supply:** 100-240v 50/60 Hz
US/International Auto Switching
- ❖ **Configurations:** JBOD (Just a Bunch Of Disks)
- ❖ **Dimensions:** 6.25" x 5" x 3.25"
- ❖ **Weight:** 0.65 lbs.

PACKAGE CONTENTS

- ❖ **2-Bay Dock**
- ❖ **USB 3.0 Cable**
- ❖ **Power Adapter**

* Note: Hard drives are not included unless you have purchased a bundle. Bundle contents vary. In addition, speed of dock is limited to the maximum speed of the hard drive in use.

APPLICATIONS

In the past, USB drives were limited by the inherently slow speed of the USB 2.0 protocol. Although it was convenient and easy to use, you needed to upgrade to the more expensive eSATA interface to access the true speed of your drives. To make matters even more complicated, most computer manufacturers have only recently begun to offer eSATA ports; and then only on the most expensive of models.

Now with the Cavalry USB 3.0 Dock, you can cycle through multiple hard drives, on multiple operating systems, right on top of your desk; without ever needing to open up your computer, or fiddle with tiny screws and expensive cables and connectors. No longer are you held back by slow transfer speeds or expensive data ports. With USB 3.0, the only thing limiting your storage speed is the hard drive you use. Plus, the hot-swappable function allows you to do it all without ever restarting your PC or Mac!

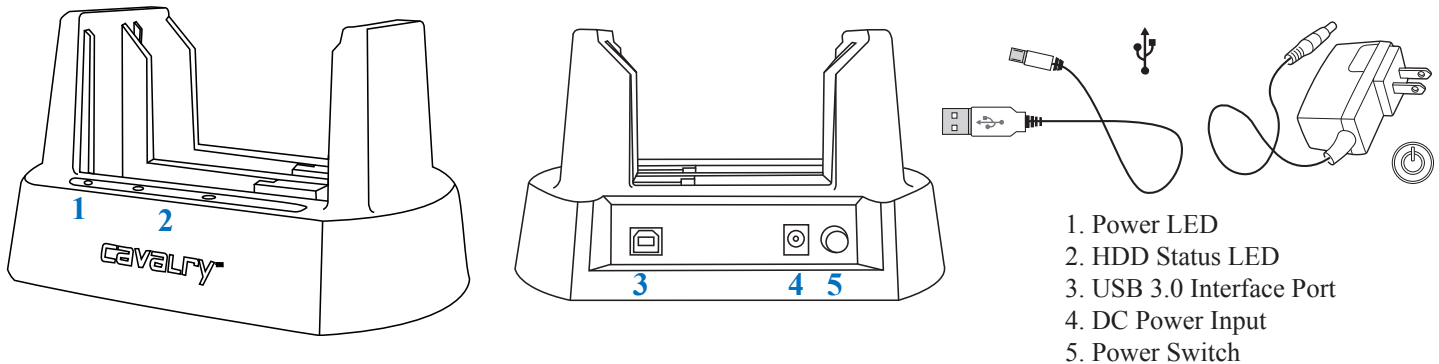
SYSTEM REQUIREMENTS

- ❖ **OS Compatibility:**
Windows 7/Vista/XP/2000, Mac OS X 10.3+
- ❖ **Hardware Requirements:**
USB 3.0 Port
- ❖ **Hard Drive Requirements:**
3.5" Desktop, or 2.5" Notebook, Internal Hard Drive with SATA II Interface
- ❖ **Operating Environment:**

Temperature	Operating: 41° - 131° F
	Non-Operating: 40° - 149° F
Relative Humidity	Operating: 8% - 90% RH non-condensing
	Non-Operating: 5% - 95% RH non-condensing

Cavalry Storage also sells a USB 3.0 PCI Express adapter card to enable older PCIe-equipped computers to access the blinding speed of USB 3.0. Please contact customersupport@cavalrystorage.com for more information.

PRODUCT PART IDENTIFICATION



PRE-CONFIGURED DOCK SETTING

JBOD Mode = Just a Bunch Of Disks.

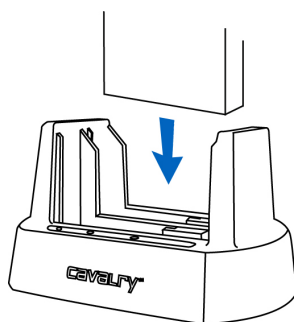
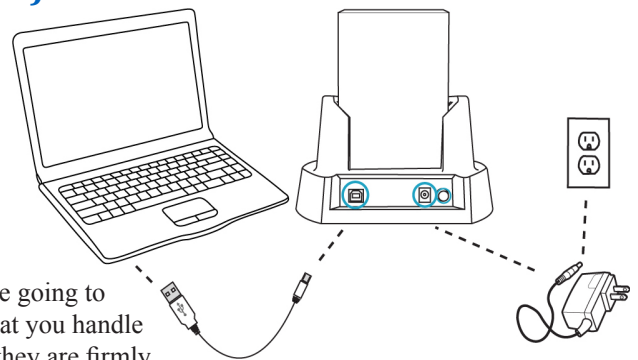
JBOD mode is tech-speak for Just a Bunch Of Disks. In other words, the disks on this drive are not connected in an array. You will see each disk separately in your computer like you would any other removable storage devices, except these are much faster and much larger!

INSTALLATION STEPS

Installation is a relatively simple process. It consists of two basic steps, all accomplished while your computer is already turned on: Setup the dock, and initialize the attached blank HDDs in the disk utility of your given operating system.

1 SET UP YOUR DOCK (For both MAC and PC)

- A) Connect the Cavalry power supply.
- B) Connect the USB cable to a port on your computer that you have used recently and know to work well. Take this time to temporarily eject and disconnect any other external storage devices you have. This will make it easier to find your new Cavalry dock.



- C) Insert the hard drives that you are going to use into the dock.* Make sure that you handle them very carefully. Check that they are firmly inserted into the dock. Be sure that you never touch any exposed circuitry or data ports on the drive or the dock. Hard drives are very fragile devices!
- D) Turn the dock on and proceed to the next step.

**Note:* Ensure a proper connection when inserting a drive by putting it straight down and not tilting it. If a drive is not being detected, turn off the dock then remove and re-insert the drive.

Note: Depending on the drives used when powering on, allow up to 30 seconds for both drives to spin up to speed.

Note: Take a moment to label your power supply with the Cavalry Model # of your unit. A piece of light-colored masking tape or an address label works great, and can save you tons of time and frustration down the road. Just make sure it is attached well.

Caution: Removing the hard drives from the dock while it is on may result in data loss.

2 INITIALIZE YOUR BLANK HDD(S) (For Windows)

- A) Navigate to the disk utility of your OS. In Windows, it's Disk Management: Start Menu>right-click (My) Computer>Manage>Disk Management.
- B) Once in Disk Management, look for your drives in the bottom right window. You may have to scroll down to find it. The disks will most easily be recognized by their size.
Ex.: If you are initializing a 1Tb drive, look for a drive that is close to the same size; like 931.51 Gb.
- C) Right-click the disk number (ex. disk 3), and then select the "Initialize" option.
- D) Select "MBR/Primary Partition" and "NTFS" for XP, and for drives that are smaller than 1TB. For later versions of Windows (7 and Vista) and for drives that are larger than 1 Tb, select "GPT/GUID" and "NTFS."
- E) Let Windows select a drive letter, and the rest of the options, and press "Finish". Double-check that Windows assigned a drive-letter to each new drive. Otherwise, you will not see the drive(s) in (My) Computer.
- F) Now, look for your drive-letter(s) in (My) Computer. Enjoy your new drive!

2 INITIALIZE YOUR BLANK HDD(S) (For MAC)

- A) Navigate to the disk utility of your OS. In Mac, it's Disk Utility: Desktop>Go>Utilities>Disk Utility.
- B) Once in Disk Utility, look for your drive in the left-hand column. It can be easily identified by the model # of that drive.
- C) Click on the first entry for your Cavalry drive; the one closest to the top.
- D) On the right, there will be a row listing operations you can perform on your drive. Select "Erase".
- E) Now select "Volume Format>Mac OS Extended (Journaled)".
- F) Click "Erase".
- G) Check for your drive in Computer and/or the Desktop. Enjoy your new drive!

*Note: Installing an HDD with Data on it: Look for your drive directly in (My) Computer. If it does not show up, it may be formatted to a different file system or it may even have developed a fault. See troubleshooting.

 **HDD LED STATUS CODES**

- ❖ **Solid Green:** A healthy, functioning HDD.
- ❖ **Flashing Green/Red:** The connected HDD is writing or formatting.
- ❖ **Solid or Flashing Red:** The connected HDD is unhealthy or offline.
- ❖ **No LED:** No HDD is connected, or the HDD is in-operational.

WARNING! Always switch USB cables as your first troubleshooting step for all of the situations below. We suggest that you simply unplug your USB printer cable and plug it straight into your dock, putting your original cable aside. That allows you to use a known-working cable and a known-working USB port on your computer, and eliminate those possibilities before you even begin!

 **TROUBLE SHOOTING**

- ❖ **I can't see my drive(s)!** If you have followed all of the installation steps, and your drive is operational, you should see it in your disk manager application. If you can't, then check the dock using a known-working drive in the same slot. If you don't have another drive, plug the drive in question into your computer's motherboard. Look for it in your disk manager application. If you still can't find it after this, you probably have a malfunctioning drive.
- ❖ **I can see my drive on my motherboard, but not in the dock.** If this is the case, there may be a problem with the USB port on your computer. Try connecting the dock to a different computer. If it shows up there, you probably have a bad port on the original computer. If it doesn't you may have a faulty dock. In that case, please contact Customer Support at customersupport@cavalrystorage.com.
- ❖ **I see the drive in my disk manager application, but not on (My) Computer/Desktop.** This is usually because the drive was not initialized using the procedure described in the Installation Steps. It may also mean that the drive is recognized by your computer, but uses a different file system from another OS. You would then need to copy all the data from it and format it as described in the Installation Steps. Windows users may need to go to Disk Management and right-click the white box next to your drive # and select "Change Drive Letter or Path." This will allow you to access the drive under Computer or My Computer.
- ❖ **I keep getting the "Device Can Perform Faster" message.** This means that your computer does not support USB 3.0. You will need to purchase an adapter card that allows you to use the USB 3.0 protocol. Our authorized parts retailer sells an excellent card for just this purpose. Please contact customersupport@cavalrystorage.com for more information.
- ❖ **My drive doesn't seem to fit.** This is probably because you are using an older hard drive that is no longer being produced, an IDE drive. Our authorized parts retailer sells an enclosure made especially for IDE. Please contact customersupport@cavalrystorage.com for more information.
- ❖ **If my dock is Hot-Swappable, why do I need to power it down before removing the drives?** Technically you don't. But, if you remove a drive while it is being accessed by an application, or some unseen system process, you run a high risk of damaging your drive and, at the very least, losing data. This is why we recommend that you be in the habit of powering off the drive. It's one more thing to do that may remind you to close any open applications first.
- ❖ **How do I create a drive that can be used on both Mac and Windows?** You need to format a drive specifically with the FAT32 file system. This can most easily be done on a Mac, in Disk Utility. Just select the drive you want to use. Then select "Erase>MS Dos (Fat)> Erase..." Once created, this disk will be usable by both operating systems!
 - ❖ **But I can see my Windows disk on my Mac (or vice versa)!** Yes, you can often see a Windows disk on a Mac, or a Mac disk on Windows. You may even be able to pull files off of it. But, you WON'T be able write to that disk unless it is formatted to FAT32. This goes both ways.



WARRANTY INFORMATION

Cavalry Storage Inc. (“Cavalry Storage”) warrants all new equipment manufactured by Cavalry Storage (including any accessories included with its products) and sold by an authorized distributor or authorized reseller against defects in material or workmanship for one (1) year from the product’s original date of purchase as follows:

- **Damaged Goods or Non-functional Products:** Upon receipt of Cavalry Storage product, if product is shown to be defective by no fault of the customer, Cavalry Storage will replace or repair the product at no cost to the customer
- **Freight Costs:** Customers are responsible for all freight costs to Cavalry Storage’s service centers. Cavalry Storage and its service centers are not responsible for products lost during shipping to its facilities.
- **Data Recovery:** Data recovery, defined as the retrieval of data from a damaged or corrupted drive, is not included our Cavalry Storage’s warranty. Should customers need data recovery, please consult an independent service provider.
- **Warranty Disclaimer:** This warranty covers only hardware. This warranty does not cover damage due to accident, misuse, abuse, negligence or modification to any part and/or accessory of Cavalry Storage products. This warranty does not cover damage due to improper operation or maintenance, connection to improper power supply, or attempted repair by person(s) or facilities unauthorized by Cavalry Storage to service or upgrade the product. This warranty does not cover consumables. Cavalry Storage makes no expressed or implied warranty of any kind for products with regard to performance, merchantability, or fitness for any particular purpose. Further, Cavalry Storage is not responsible for any defects in products, loss or inaccuracy of data of any kind, or for any direct, indirect, incidental, or consequential damages resulting there from.
- **Packing and Shipping:** Any product sent to Cavalry Storage, Inc. for service or repair must be packed and shipped according to the Cavalry Storage standards and guidelines. Please note that packages received which deviate from Cavalry Storage packing and shipping standards may be rejected.

Failure to comply with any of the above will result in delays and will ultimately result in a voided warranty. Please contact customersupport@cavalrystorage.com if you have any questions.

REPAIR OR REPLACEMENT AS PROVIDED UNDER THIS WARRANTY IS THE EXCLUSIVE REMEDY OF THE CONSUMER. CAVALRY STORAGE SHALL NOT BE LIABLE FOR ANY INCIDENTAL OR CONSEQUENTIAL DAMAGES FOR BREACH OF ANY EXPRESS OR IMPLIED WARRANTY ON THIS LIBRARY. EXCEPT TO THE EXTENT PROHIBITED BY APPLICABLE LAW, ANY IMPLIED WARRANTY OF MERCHANTABILITY OR FITNESS FOR A PARTICULAR PURPOSE ON THIS LIBRARY IS LIMITED IN DURATION TO THE DURATION OF THIS WARRANTY.

Some states do not allow the exclusion or limitation of incidental or consequential damages, or allow limitations on how long an implied warranty lasts, therefore, the above limitation or exclusions may not apply. In addition, extended service contracts with Cavalry Storage, or an authorized Cavalry Storage service facility, will affect the limitation on an implied warranty accordingly. This warranty gives you specific legal rights and you may have other rights that vary from state to state.

Please go to www.cavalrystorage.com/rmaterms.com for more warranty details.



CONTACT INFORMATION

Phone: 800.238.4453 (toll-free, USA only)
805.426.1000

Email: customersupport@cavalrystorage.com

Website: www.cavalrystorage.com